



GARAGE DOOR CONTROLLER



Linear[®]



PRODUCT DESCRIPTION

SUMMARY OF OPERATION

- The Garage Door Controller connects to the garage door opener's pushbutton wall console terminals.
- A wireless tilt sensor mounts on the garage door and reports the door's position to the Garage Door Controller.
- The Garage Door Controller responds to the panel to open or close the garage door.
- A warning indicator light flashes and a beeper sounds for 5 seconds before the door begins to move.
- If the door does not completely open or close, a second open or close command can be sent after 30 seconds.
- If the door does not completely open or close after the second attempt, the Garage Door Controller operation is suspended until a local garage door pushbutton is activated.

★ ★ ★

WARNING

★ ★ ★

This operator system is equipped with an unattended operation feature. This door could move unexpectedly.
NO ONE SHOULD CROSS THE PATH OF A MOVING DOOR.



This system can be installed on sectional type (roll up) doors only per (UL-325)
DO NOT INSTALL ON ONE-PIECE DOORS!

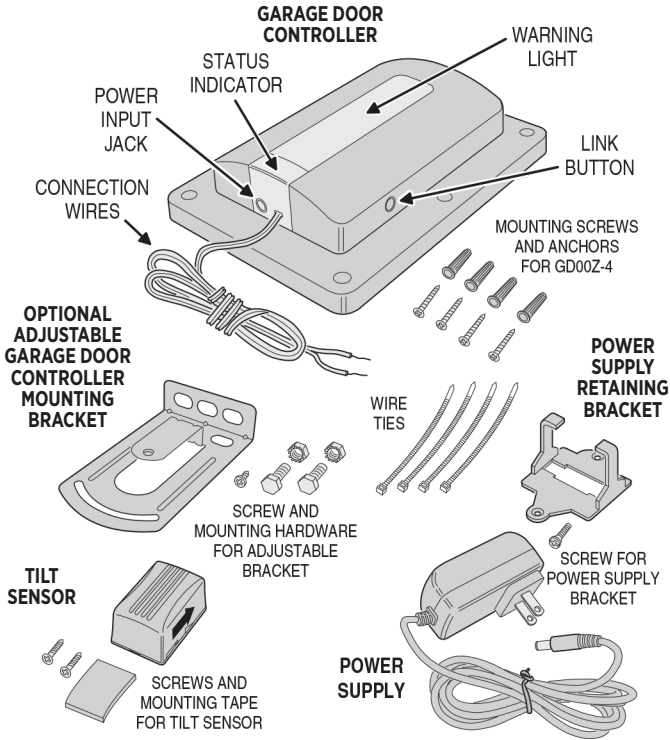


The Remote Command Transceiver must be mounted in the garage, in sight of the garage door, where the visual and audible movement warning indicators can be clearly seen and heard.



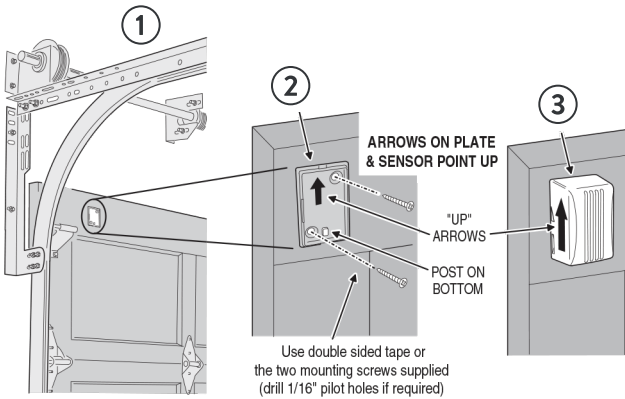
Do not install the Remote Command Transceiver on garage door operators manufactured prior to 1993 (models without an operational safety beam entrapment detection system).

PRODUCT COMPONENTS



TILT SENSOR INSTALLATION

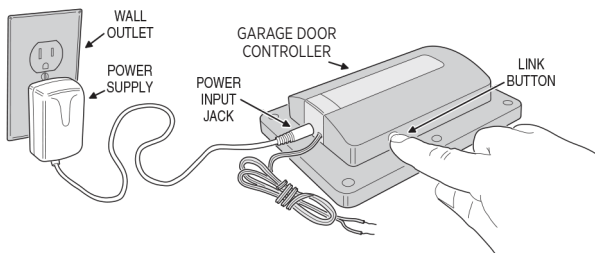
1. To activate the tilt sensor, remove the battery protection pull strip.
2. Attach the mounting plate to the top panel of the door.
3. Snap the sensors onto the mounting plate.



PAIRING (INCLUDING) WITH THE SYSTEM

THIS PAGE CAN BE SKIPPED IF THIS WAS
PURCHASED WITH YOUR ORIGINAL SYSTEM ORDER

NOTE: PLUG IN THE GARAGE DOOR CONTROLLER NEAR YOUR
CONTROL PANEL FOR THESE STEPS



TO **INCLUDE** THE GARAGE DOOR CONTROLLER INTO YOUR PANEL.

1. Place your control panel into z-wave learn mode
2. Press and release the link button on the Garage Door Controller
3. Confirm and release the link button on the Garage Door Controller

TO **EXCLUDE** THE GARAGE DOOR CONTROLLER FROM YOUR PANEL.

1. Place your control panel into z-wave delete mode
2. Press and release the link button on the Garage Door Controller
3. Confirm that the Garage Door Controller was excluded by your Z-Wave Controller

MOUNTING

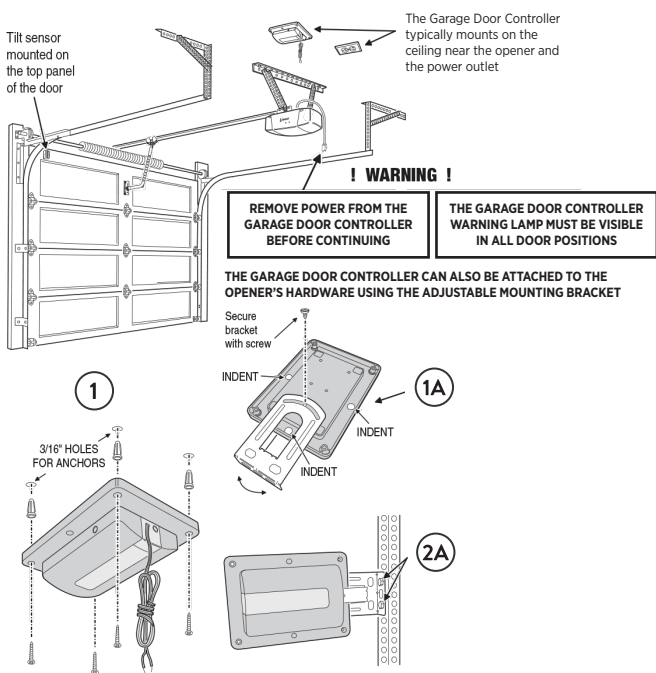
1. Use the four screws and anchors to mount the Garage Door Controller above the opener.

1A. The optional adjustable mounting bracket fits 3 ways on the Garage Door Controller.

The bracket snaps onto indents on either side or on the end of the Garage Door Controller.

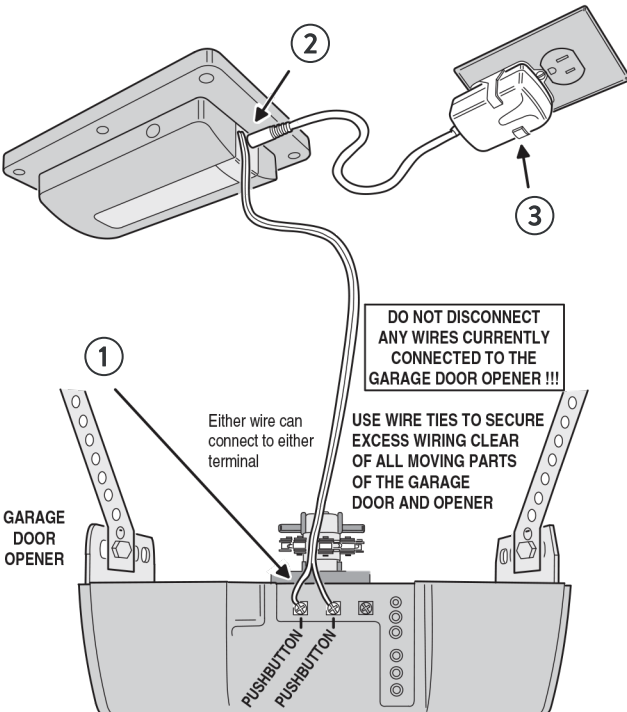
2A. Use the bolts and nuts supplied to attach the bracket to a secure structure.

BE SURE THE GARAGE DOOR CONTROLLER IS CLEAR OF ALL MOVING PARTS OF THE GARAGE DOOR AND THE WARNING LAMP IS NOT OBSTRUCTED.



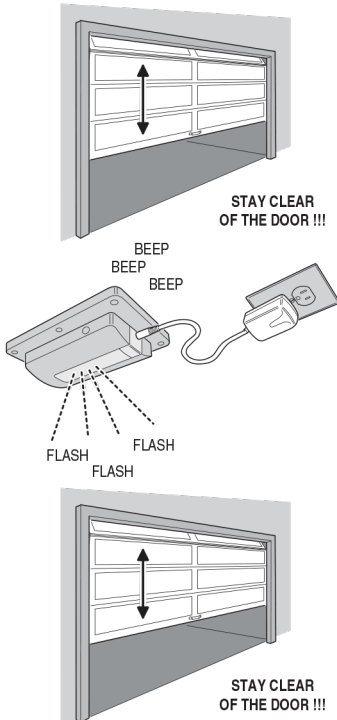
CONNECTIONS

1. Connect the Garage Door Controller connection wires to the pushbutton wall console terminals on the garage door opener. The terminals may be named "PWC", "WC", "PB", "PUSHBUTTON", or "RED and WHITE". Terminal names and locations vary by model. The wires can go in either terminal.
2. Plug the power cord into the power input jack on the Garage Door Controller.
3. Remove the screw from 120 VAC outlet faceplate. Secure the retaining bracket to the faceplate with the provided screw. Snap the power supply into the bracket while plugging into the outlet.



SYSTEM OPERATION

1. Restore power to your garage door opener.
2. To synchronize the system, use the garage door opener's pushbutton to manually open and close the door.
3. Use your app or website to send an open or close command to your garage door opener.
4. The Garage Door Controller will beep and flash for five seconds before the door moves.
5. The Garage Door Controller will activate the door opener and open or close the door.



OPERATION NOTES

1. The warning light will flash and the warning beeper will sound for five seconds before the door opener is activated.

STAY CLEAR OF THE DOOR, AND DOOR OPENER. THEY ARE ABOUT TO MOVE!

2. If the door does not completely open or close after remote activation, the Garage Door Controller will allow user to try to operate the door one more time. If the second attempt fails, the Garage Door Controller will go into lock-out mode. See note #3.

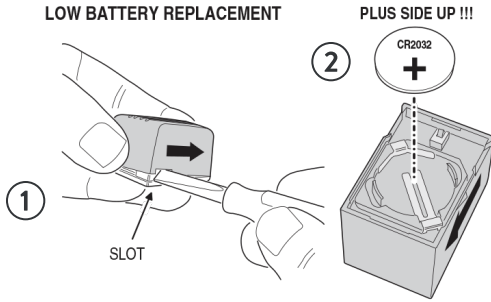
3. If the Garage Door Controller is in lock-out mode and will not accept remote commands, activate the door from the pushbutton wall console.

4. Once the Garage Door Controller has initiated the movement of the garage door, another command cannot be sent for 30 seconds. This eliminates the change of "bouncing" the garage door and possibly damaging the garage door opener.

BATTERY REPLACEMENT

1. To open the case, twist a small screwdriver in case slot.
2. Insert the battery into the transmitter.

The system will notify you when the battery is low, replace the battery with a type CR2032 coin cell



TROUBLESHOOTING

PROBLEM	POSSIBLE CAUSE	CORRECTIVE ACTION
Unable to include in panel.	The Garage Door Controller was not properly excluded from a previous Z-Wave network.	Reset the Garage Door Controller by pressing the LINK button 5 times. A quick beep then a longer beep indicates the reset. Use this procedure only in the event that the control panel is missing or otherwise inoperable.
The Garage Door Controller does not flash or beep when activated.	No power to the Garage Door Controller.	<ol style="list-style-type: none">1. Make sure the power supply is plugged in securely to a live outlet.2. Make sure the power cord is plugged in securely to the Garage Door Controller.
The Garage Door Controller flashes and beeps when activated but the door does not move.	Obstruction blocking the door or incorrect wiring.	<ol style="list-style-type: none">1. Make sure that there are no obstacles preventing the door from moving.2. Make sure the Garage Door Controller connection wires are connected to the proper terminals on the garage door opener. Trace the wires from the garage door opener's pushbutton wall console to the door opener. This is where the Garage Door Controller connection wires should be connected.
Garage door opens or closes, but the status does not change on the app or website.	The tilt sensor signal is not being received by the Garage Door Controller.	<ol style="list-style-type: none">1. Make sure the tilt sensor is mounted correctly on the garage door, with the arrow pointing up.2. Make sure the battery pull tab has been removed from the tilt sensor.3. Replace the battery in the tilt sensor.

SPECIFICATIONS

GARAGE DOOR CONTROLLER SPECIFICATIONS

- Power Supply:** Input: 120 VAC, 0.8 A
Output: 12 VDC, 2 A
- Operating Temperature:** -4°—122° F (-20°—50° C)
- Audible Alarm:** 45 db @ 10 feet
- Strobe:** 360 Lumens
- Communications:** Z-Wave (908.4 MHz)
- Mounting:** Screws and anchors to
the ceiling, or bracket to the
opener's hanging hardware

TILT SENSOR SPECIFICATIONS

- Power Supply:** Type CR2032 Coin Cell Battery
- Operating Temperature:** -4°—122° F (-20°—50° C)
- Battery Life:** 24 Months (typical)
- Communications:** Proprietary 345 MHz
- Range:** 100 feet line-of-sight to
Garage Door Controller
- Mounting to Garage Door:** Double-sided tape or two
mounting screws
- (Specifications subject to change without notice)

