

APOLLO

USER MANUAL

USA

apolloscooters.co

CANADA

apolloscooters.ca

PHANTOM_{2.0}

INTRODUCTION

Hello World

Thank you for purchasing the Apollo Pro. The electric scooter industry is still young and it takes forward-thinking customers like yourself to advance it. We hope you enjoy your new scooter as much as we loved developing it.

Please be aware that the model depicted in this manual serves as a general representation. Your specific model may feature slight differences in design or functionality. For the most accurate and current user manual, please visit our Servicing & Support Centre to access the latest version.

How to get help?

We're here to help regardless of the issue you are facing. Visit our Support Page below to access our Servicing & Support Center in various languages, as well as to find various ways to get in touch with our team.



⚠ WARNING

Incorrect assembly, maintenance, or use of your Apollo scooter can cause component or performance failure, loss of control, serious injury, or death. Even if you're an experienced scooter rider, you must read and understand the entire manual and any documentation provided for subcomponents or accessories before riding. In the event of a malfunction or damage to any of the components during set up or use, please discontinue set up or use and contact our support team through our Support Page. If you are not sure you have the experience, skills, and tools to correctly perform all assembly steps in the manual and the assembly video, consult our support team or a local electric scooter shop.

For your safety and that of others, please read and make sure you understand all of the warnings and instructions contained in this Manual. FAILURE TO FOLLOW THESE WARNINGS AND INSTRUCTIONS CAN RESULT IN SERIOUS INJURY OR DEATH.

Table of Contents

Unboxing.....	5
Assembly	6
Operation	10
Settings	16
Battery Information	17
General Safety	18
Maintenance	20
Maintenance Table	27
Screw List	28
Troubleshooting	32
Warranty	34
FCC Statement	36



UNBOXING

⚠ WARNING

Improper assembly of your Apollo scooter can cause component or performance failure resulting in loss of control, serious injury, or death. In the event of a malfunction or any damage to any of the components during set up of your scooter, please discontinue set up immediately, do not ride the scooter, and contact our support team. If you are not sure you have the experience, skills, and tools to correctly perform all assembly steps in the manual and the assembly video, consult our support team or a local electric scooter shop.

Intro

Setting up your scooter right is the single most important step to your safety.

Please note that this process is also available in video format through our Servicing & Support Center.

We recommend having the following items ready prior to starting the setup process:

- Box cutters or knife
- Stool or bench
- Air pump
- Someone to help

Unbox your scooter

Open the box using the box cutter and fold open the top. Inside you should see protective styrofoam along with the following contents:

- Apollo Phantom 2.0 electric scooter
- Manual
- Charger and cable
- Hex key
- Screw Kit

If any of these items are missing, please contact us immediately.

With the help of someone, remove the scooter from the box and place it on a flat surface.

We recommend using a stool or bench as the wheels need to be able to spin freely.

Carefully remove the protective material from the scooter and set it aside. We require you to keep both the styrofoam and the box in case you need to ship your scooter back to us. Otherwise recycle the materials wherever possible.

Prepare for assembly

Unfolding

1 The first step is to unfold your Apollo Phantom 2.0.

2 Unfold the stem by pulling it until it is in a vertical position. Make sure to do this until the stem is completely vertical and the hook is aligned as indicated by the arrow.

3 Locate the safety latch and lower it to lock it into the notch.

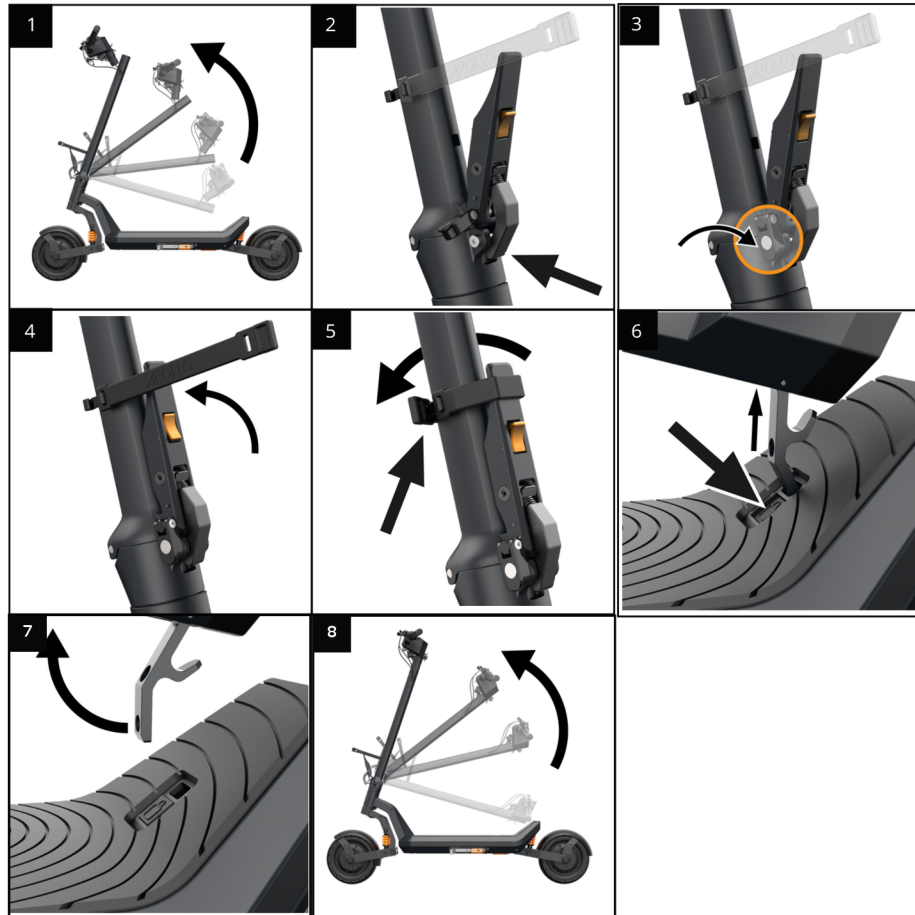
4 Next, locate the folding latch and lift it to lock the stem in place. It may require some force for the latch to fully lock in the vertical position. Ensure that the safety button of the folding mechanism is engaged in the stem.

5 Next, locate the strap and pass it around the latch before attaching it as shown in the figure.

6 If the stem is stuck in the platform, press the release button indicated by the large arrow.

7 Fold the tab back towards the stem.

8 Pull the stem upward and follow steps 2 to 5 to secure the stem in place.

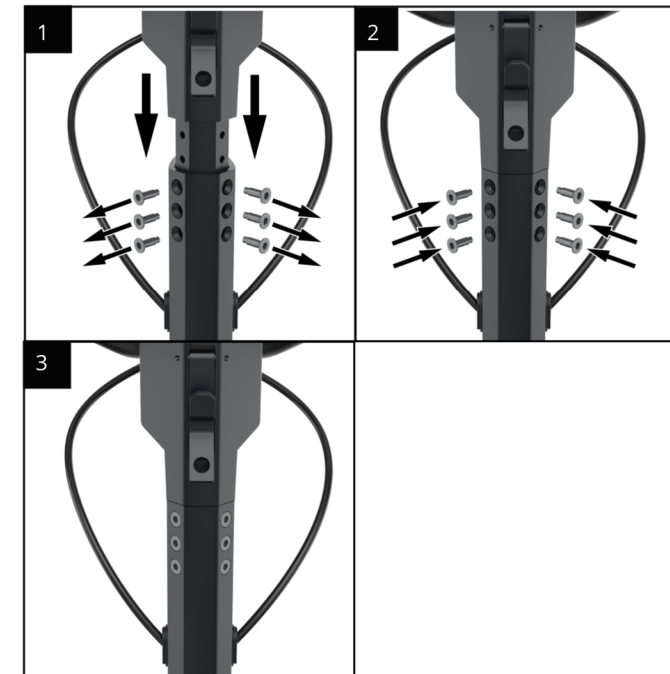


Attach handlebar

1 Connect the male connection cable coming out of the handlebar into the female cable coming out of the front stem. Make sure the pins are aligned.

2 Make sure the male port and the female port are aligned properly. Insert the handlebar at the top of the front stem and tighten into place with the 6 hex screws provided.

3 Caution: Be careful not to damage the cable when connecting the handlebar to the front stem.



WARNING

Always follow the instructions when unfolding your scooter and prior to each ride. Failure to ensure the safety button of the folding mechanism is clipped into the scooter stem and to ensure the stem is fully secured before your ride may lead to the stem coming undone during your ride, which can result in loss of control, serious injuries and death. Do not operate the scooter if you notice anything wrong with the scooter stem, the safety button, or the locking mechanism.

Perform test

1 Locate the power button on the right side of the handlebar and press it for 3 seconds to power on the scooter. You should now be able to see the display powered on. Keep the scooter elevated on the stool or bench, as the testing will involve spinning both wheels. The scooter should be in Kick to Start mode, to begin testing the motors, spin the wheel manually and then press the throttle. The wheels should begin to spin normally. You may notice either motor emitting a noise at low speeds, this is normal. The motor is communicating with

the controller and identifying its position as well as which direction to roll in. If after performing this test the wheels are spinning normally, you can now move to step 2.

⚠ WARNING

If you notice one of the motors is not spinning DO NOT ATTEMPT TO OPERATE THE SCOOTER. Contact us immediately.

2 Begin by testing your brakes. Press the throttle on the right side of your handlebar and notice the motor wheels start to accelerate. Continue to accelerate for 5 seconds, then release the throttle and slam both brakes at the same time. The wheels should stop immediately.

3 Test gear change by pressing the Power Button quickly twice. Two short clicks will cycle through the speed levels.

- Eco mode
- Comfort mode
- Sport mode

To go into Ludo press the power button quickly three times. To read more about the speed of each mode, refer to the Display section in this manual.

4 Next, to turn on the lights press the mode button quickly once. Confirm all of the lights power on: headlight and one rear tail light.

5 To activate apple find my, have it "discoverable". Press and hold M button for 2 seconds

⚠ WARNING

If all of the lights do not power on, DO NOT ATTEMPT TO OPERATE THE SCOOTER. Contact us immediately.

6 Test your right and left signals. Start by testing your right signal by pressing the button with an arrow on the right side of your handle bar. Your right signals should turn on. To turn them off, click on the button again.

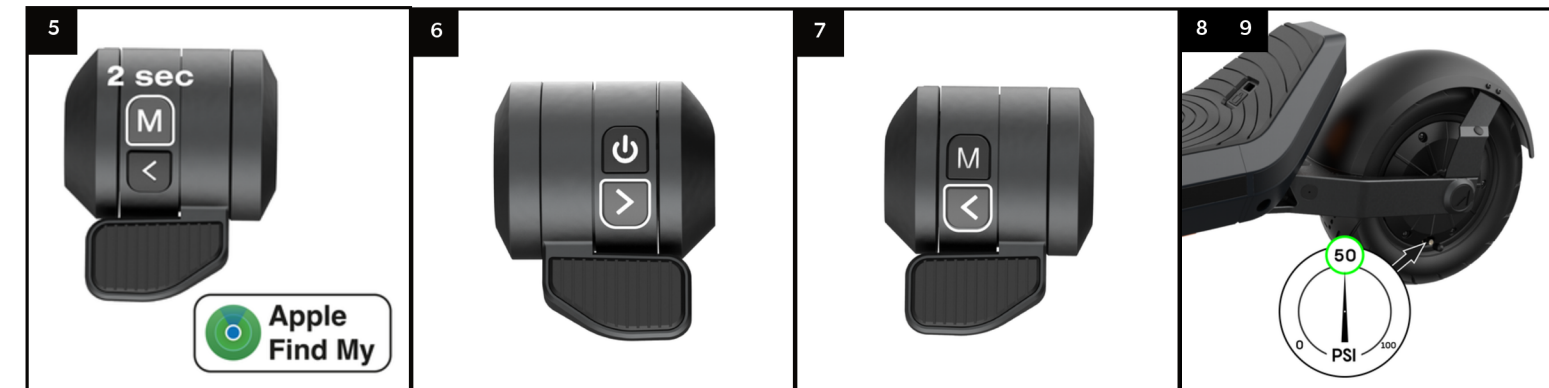
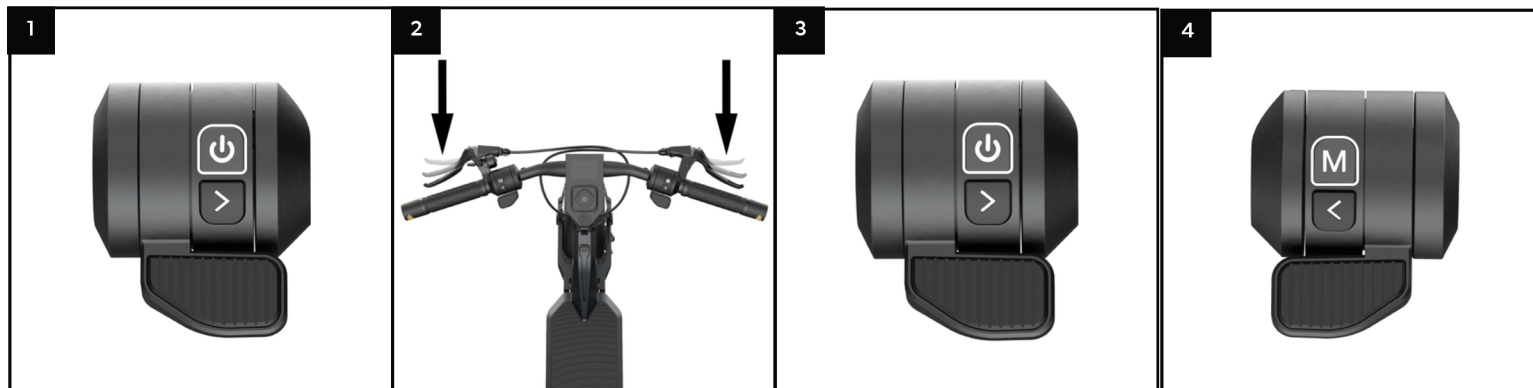
7 Test your left signals, press the arrow button on the left side of the handle bar. Your signals should turn on. To turn them off, click on the button again.

8 Next, grab an air pump and locate the air valve on the front tire. Remove the safety cap and attach the pump tube to the tire valve. Turn on the air pump and read the PSI measure - the ideal tire pressure for the Phantom 2.0 is 50PSI.

9 Inflate or deflate the tire as needed until the pressure is 50PSI. Repeat the step with the rear tire.

Congratulations, you have successfully set up your new Apollo Phantom 2.0 .

If you experience difficulties with the setup at any step, please refer to our Servicing & Support Center for a video walk-through of the process. Alternatively, you can contact our support team via our Support Page.



OPERATION

NFC Activation

This section will show you how to add or remove an NFC card to your scooter, by following these steps:

- 1 First make sure the scooter is unlocked, to add NFC card press 6 times on power button, then scan the card
- 2 To remove NFC card, Press 7 times on power button, then scan card

NOTICE

A maximum of two cards can be registered to the scooter. if you want to change a card you must remove one card to add the other.

Charging

This section focuses on how to charge your scooter correctly. For information about battery health and best practices, please review the Battery Information section.

The battery pack comes with a built-in battery management system. This includes overcharging protection amongst other features, allowing your scooter to stay plugged in even after it is fully charged.

Please note that this applies to short periods of overcharging, such as the scooter being plugged in overnight. Please do not leave the scooter plugged in and charging for extended periods of time as it may result in battery damage or fire.

NOTICE

You will need to turn off the scooter before charging.

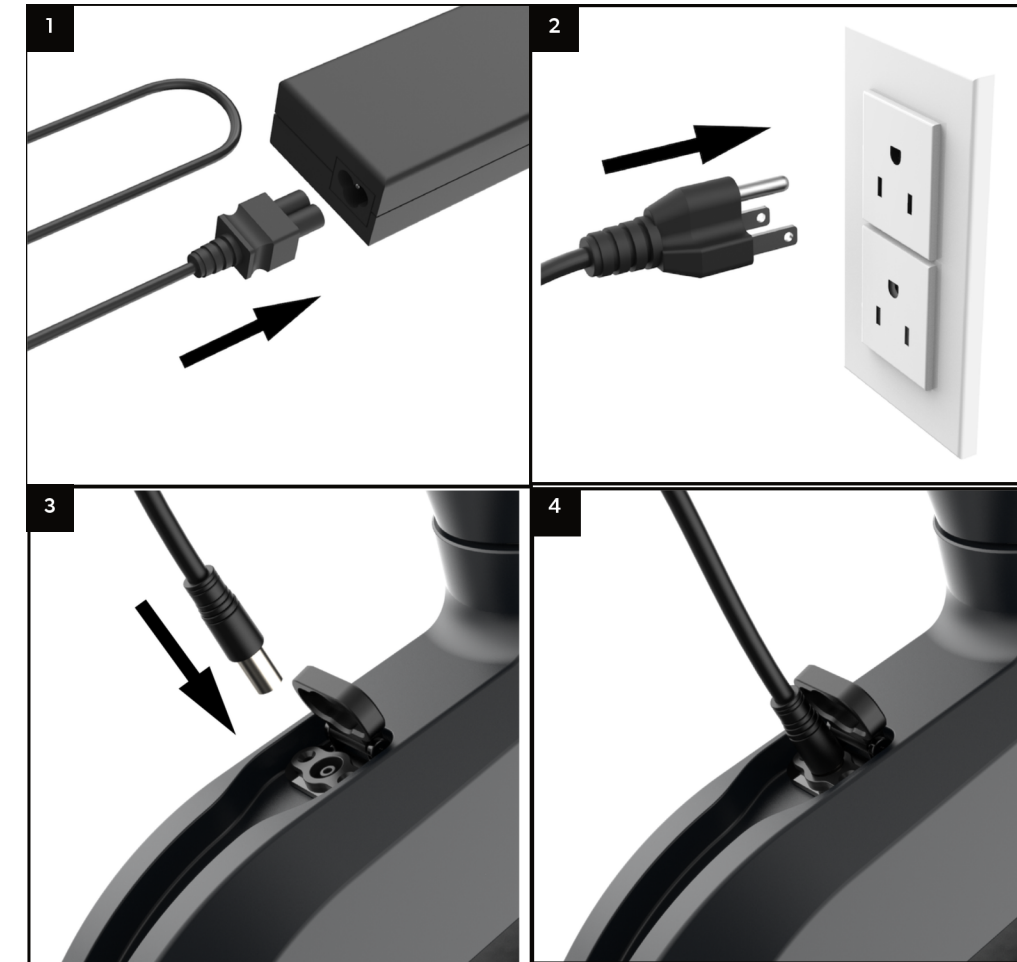
WARNING

- Warning, risk of fire and electric shock.
- No user serviceable parts.
- Prolonged exposure to uv rays, rain and the elements may damage the enclosure materials.
- Store indoors when not in use.

- 1 First, ensure the two parts of the charger are connected securely. The wall AC plug should be connected to the charger box. The connection between the cable and box should feel firm with no wobble or play.
- 2 Proceed to plug the AC plug on the other end of the charger into a 120 volt power outlet.
- 3 Next, locate the charging port cap on your scooter and open it to find the charging port. Locate the round connector on one end of the charger, this is the end you must insert in the charging port. Then, gently insert the cable.
- 4 If the battery is 100% full, the charger light will turn green. If the battery is not fully charged, the charger light will light up red.

WARNING

ALWAYS use a charger designed for your scooter model. Failure to use a compatible charge and to charge at the correct voltage can damage the scooter and its battery, which may result in a fire, electric shock, property damage, serious injury or death.



Throttle

The Apollo Phantom 2.0 comes equipped with two thumb throttles, one on each side of the handlebar for ease of use. The left hand side throttle is the regenerative brake, the right hand side throttle is for acceleration.

The acceleration throttle is designed to be progressive - this means that a soft press on the throttle will exert proportionately little acceleration. Full pressure on the throttle will trigger maximum output and therefore peak acceleration.

WARNING

Never press the throttle when walking with your scooter. Pressing the throttle while walking the scooter may cause loss of control, and serious injury or death to you or others.

How to brake

The Apollo Phantom 2.0 has two different types of brakes. The regen brake which allows you to capture energy from braking and recharge your battery, and the dual disc brake.

The regen brake will allow you to have a smoother and more efficient stop. To use it, press on the left hand side thumb throttle. To control how smooth or abrupt your scooter comes to a stop log in to your Apollo App and adjust the brake preferences. The regen throttle is designed to be progressive - this means that a soft press on the throttle will exert proportionately little braking power. Full pressure on the throttle will trigger maximum output and therefore peak braking power. For more information about the Apollo App refer to the App section in this manual.

Braking for the first time:

Before taking your scooter for a ride, we recommend for you to adjust the regen brake in your Apollo App. Refer to the App section in this manual for more information.

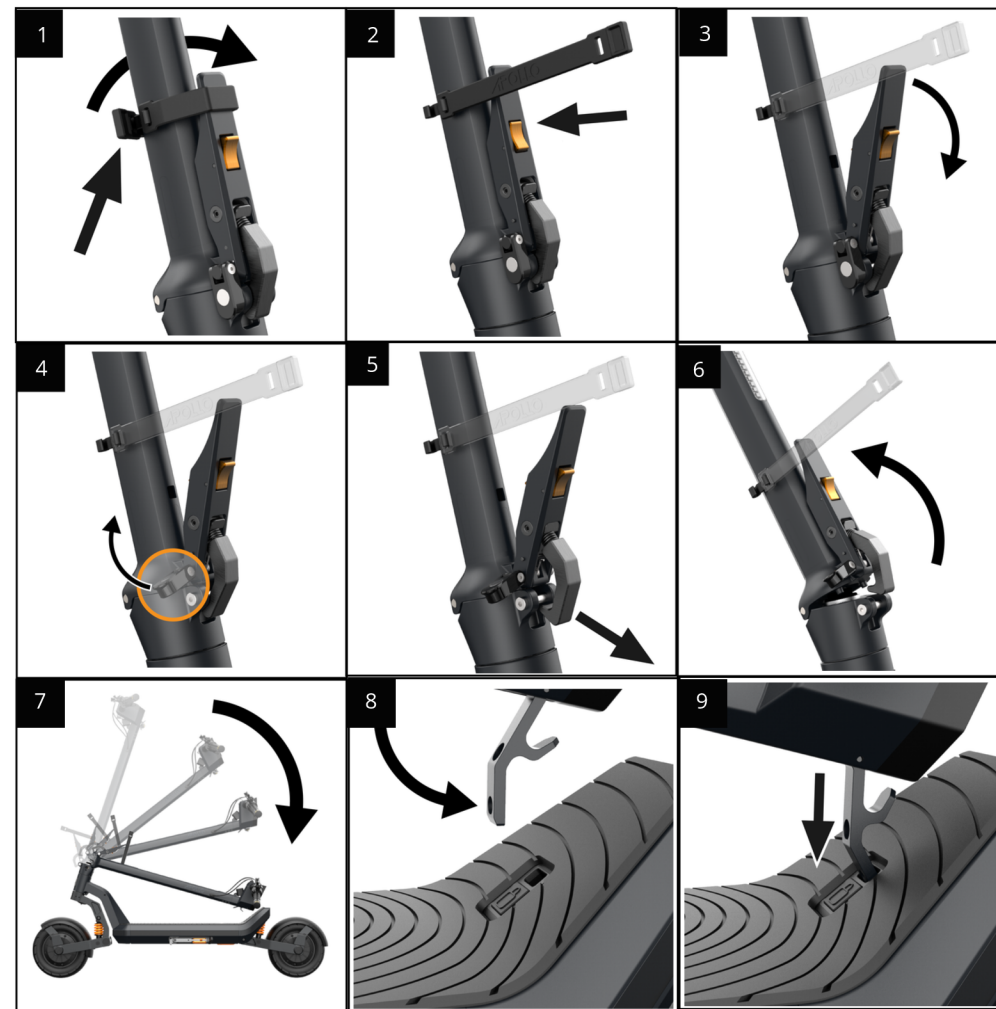
NOTICE

We recommend you not to use the regen brake when the battery is 100% charged. This can cause an overcharged battery and result in damage to the controller or the battery. You should only start using the regen brake when the battery is at 90% charge level or less.

Additionally, keep in mind that using the regen brake for long periods of time (for example a long downward hill) can generate a lot of heat and have a negative impact on the controller. We recommend using the regen brake only for short period of time.

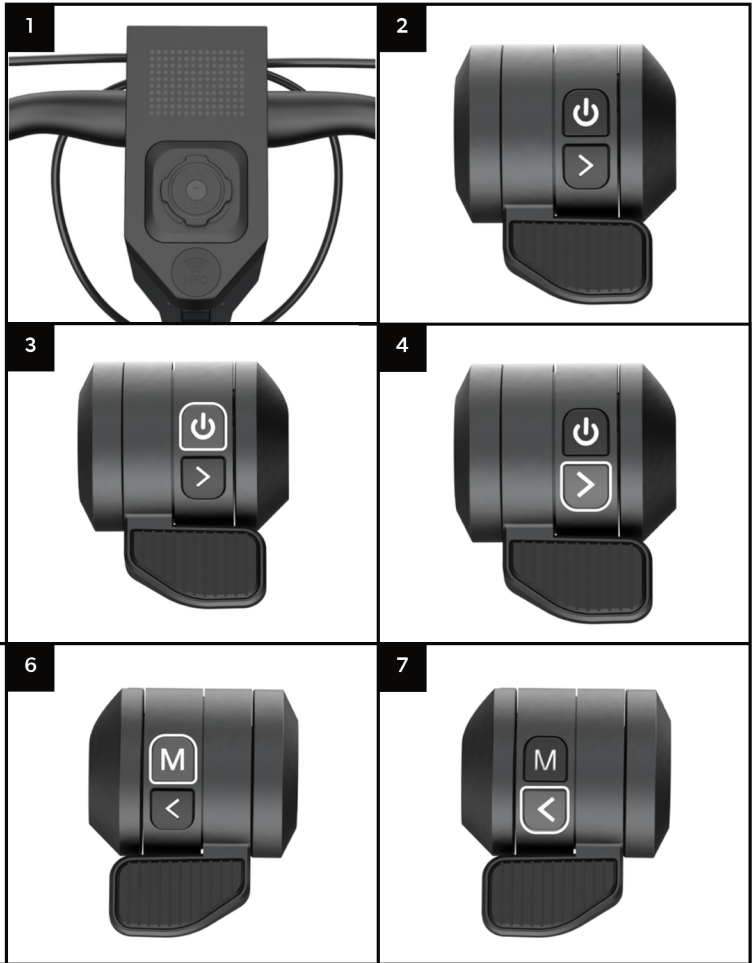
Folding

- 1 To fold, first locate and detach the strap around the folding latch.
- 2 Then locating the safety button and press it to unlock the folding latch.
- 3 Grab the folding latch and pull it down to fold the stem.
- 4 Locate the safety latch and rotate it outward. Make sure to keep one hand on the stem at all times, as it will lower instantly once the folding latch is released.
- 5 Pull down until you feel that the folding latch is completely open.
- 6 Fold the stem towards the platform.
- 7 Ensure it is completely folded before proceeding to the next step.
- 8 Deploy the tab located on the handlebar.
- 9 Gently lower the stem until the tab can be inserted into the platform.



Handlebar features

- 1 Display
- 2 Accelerator throttle (right-hand side of the handlebar)
- 3 Accelerator throttle - Power button - light on/off - Gear change
- 4 Accelerator throttle- right turning signal
- 5 E-brake throttle (left side of the handlebar)
- 6 E-brake throttle- Mode button
- 7 E-brake throttle- left turning signal



DISPLAY

The display screen, located on the handlebar, shows you the speed, the battery charge and any failure displays.

The scooter is controlled by three buttons:

POWER BUTTON

- 1. One long click — On / Off
- 2. Speedometer
- 3. Double click - Gear Change (Cycle from 1-2-3)
- 4. Triple Click - Enter Ludo mode

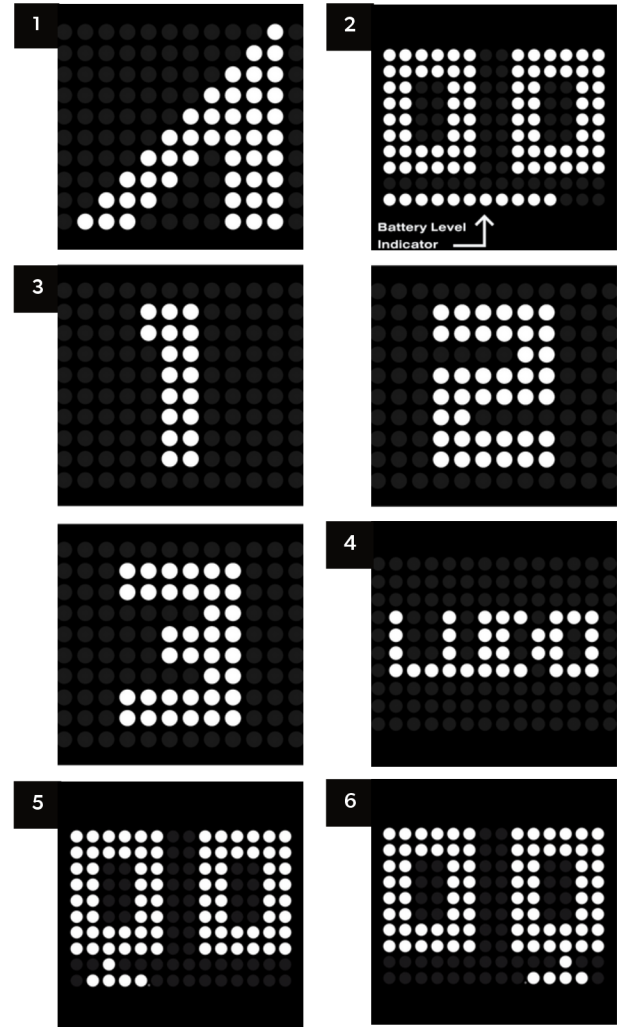
TURN SIGNALS

- 5. Left arrow short click — Left turning signal
- 6. Right arrow short click — Right turning signal

MODE BUTTON (M)

One click — Turn On/Off front light
 Double click — Turn On/Off stem & deck light
 (Not shown on display)

While riding you may notice an occasional beeping noise, indicating you are riding above the speed of the selected gear. (Not shown on display)



SETTINGS

App

You can manage your settings through the Apollo App. The settings you can manage through your App are:

- Control Gear
- Control Speed Metrics (KMH/MPH)
- Control top speed limit
- Control acceleration and regen brake
- Control ON/Off cruise control
- Control the time it takes for the cruise control to turn on
- Control KickStart On/Off mode

* The settings you can control via the Apollo App may change with future App updates.

The Apollo App is available for iOS and Android. To download it, visit our website - Apolloscooters.co - or look for it in your APP store as Apollo Scooters.

You can also download it using the following QR code:



To use the App, follow the steps indicated in the App. App updates may be rolled out at any moment to improve the user experience. For any App related issues or for the latest App related information, please reach out to our support team who will provide the latest information.

BATTERY INFO & LOW BATTERY

Charging

- Charge the scooter fully after every ride. This will prolong the battery life.
- When charging, wait for the charger light to turn green. The charging process will then be complete and all the cells will have been balanced by the battery management system.
- If not used, power on the scooter once at least once a month to check the charge level. Ideally, the charge level should be between 70% and 90%.

⚠ WARNING

ALWAYS use a charger designed for your scooter model. Failure to use a compatible charge and to charge at the correct voltage can damage the scooter and its battery, which may result in a fire, electric shock, property damage, serious injury or death.

Storage

- The storage temperature needs to be between 10°C–25°C / 50°F–77°F
- For long term storage (such as the winter season), the ideal battery level is approximately 70% (50V). This is based on the fact that at 70% charge level, the energy inside the battery cells is the most stable.

NOTICE

When there is only one battery bar remaining, it is advisable to stop using the scooter if possible and to recharge it in order to prolong the lifespan of the battery, a deep discharge will decrease the lifespan of the battery.

- E-scooter model reference: 5272, A11 Phantom 2.0
- Charger model reference: SPC-290WW-588045
- Battery model reference: JT-ESB14-01

Improper Storage and Charging Can Lead to Scooter Damage

- Wait 30 minutes after a ride before attempting to charge the battery.
- Do not leave the scooter in cold spaces (such as unheated garages or outdoor sheds).
- Do not leave the battery undercharged for 48 hours or more. This can result in battery damage which is not covered by warranty.
- Do not use chargers that are not sold or approved by Apollo Scooters.
- Keep the battery away from heat or fire, a failure to do so may result in a serious injury or death.
- If there is any damage to the battery, the scooter will not turn after charge or it will not charge. DO NOT ATTEMPT TO OPERATE THE SCOOTER. Contact us immediately.

SAFE RIDING INSTRUCTIONS & WARNINGS

⚠️ WARNING

Apollo Scooters are designed to be used and operated by adults and should not be used by anyone younger than 18 years of age. Should the rider have any disabilities or impairments (visual, hearing, language, seizure, etc), please consult your physician before any ride or purchase of an electric scooter.

You are responsible to perform due diligence, understand and follow all laws, rules and regulations, for the safe and lawful operation of your electric scooter, in the locations in which you choose to operate

it. If not used properly or lawfully, electric scooters can lead to injury or death. By purchasing an Apollo scooter, you assume the responsibility for its safe and lawful operation as well as the risks for any failure to safely and lawfully operate it. Any fines due to illegal or unauthorized use, including but not limited to any failures to wear protective equipment, are your responsibility. Should you have any questions or concerns, feel free to contact us at support@apolloscooters.co

Please read the entire manual carefully. If uncertain about any section, contact us directly or visit our Servicing & Support Center to find more information. We always recommend starting slow and getting used to the scooter before riding at faster speeds and for longer distances.

- ALWAYS wear a helmet when riding.
- ALWAYS inspect your scooter before riding. Do not ride if you notice any damage to your scooter.
- ALWAYS make sure the safety button of the folding mechanism is clipped into the stem and that stem is fully secured before beginning your ride.
- ALWAYS keep both hands on the handlebar when riding.
- ALWAYS ride safely and at an appropriate speed to avoid falls and collisions.
- ALWAYS avoid contact with moving parts of the scooter, such as the motor and wheels.
- NEVER ride under the influence of any drugs, alcohol or substance that could limit or affect judgement, control or rider safety. You must always ride with a fully conscious and sober mind to ensure a safe ride.
- NEVER exceed the maximum capacity weight of the scooter.
- NEVER ride on sidewalks, motorways or highways.
- NEVER ride with more than one rider.
- NEVER ride on stairs, jump the scooter, or operate it at high speeds over bumps for risk of loss of control.
- NEVER race or perform stunts with the scooter.

Operating in Wet Conditions

⚠️ WARNING

In rain, snow, ice, or other wet conditions, braking distances increase and the risk of loss of control increases. Riding in these conditions, and/or failing to take into account increased braking distances, can cause loss of control, serious injury, or death.

Riding your scooter in heavy rain or wet condition may introduce moisture in the main compartment which could damage the scooter's electronics.

⚠️ WARNING

Maximum and minimum rider weight: 50~150kg
Maximum speed: 20 km/h
Disposal: Handle according to local regulations.

Protective Gear

⚠️ WARNING

We strongly recommend wearing protective equipment any time the scooter is in use. In addition to always wearing a helmet, it is recommended that you also wear other protective gear, including but not limited to, knee and elbow pads, and protective armor.

Operating in Cold Conditions

⚠️ WARNING

Operating in cold conditions could cause condensation and moisture to accumulate in the main compartment which could damage the scooter's electronics.

Avoid Exposure to Water and Humidity

NOTICE

You must avoid exposing your scooter to water and humidity. Apollo scooters are not waterproof and are not designed for extreme or prolonged exposure to water or humidity. Operating your scooter in rain, wet, or other extreme (ice, snow, etc.) conditions can cause component or performance failure, in addition to loss of control, serious injury, or death. Please note that any damage to the scooter due to water exposure is not covered by warranty.

MAINTENANCE



WARNING

Incorrect assembly, maintenance, or use of your Apollo scooter can cause component or performance failure, loss of control, serious injury, or death.

NOTE:

This section is available in a video tutorial which can be found on our Servicing & Support Center.

Getting started

We recommend doing maintenance to your scooter in accordance with the table found on p.32 of this manual to make sure all of the components are working properly. Below you can find the steps to perform a basic maintenance of your Apollo Phantom 2.0. However, if you need additional information or help, please contact our support team directly via our Support Page.

A tune up consists of the following steps:

- Tire pressure check
- Bearing lubrication
- Suspension lubrication
- Brake adjustment
- Screw tightening

You will need a few things to get these done, all of them can be purchased at a local hardware store. If you have difficulty locating these items, contact our support team for help:

- Electric tire pump/inflator
- Silicone base lubricant
- Bearing lubricant
- Blue Loctite
- Basic toolkit

These are low cost items that, if used regularly, can make your scooter last dramatically longer. In other words, they're an investment definitely worth making.

Tire pressure

Let's get started with a tire pressure check, which will allow you to see the tire pressure of your tires. The ideal tire pressure for the Apollo Phantom 2.0 is 50PSI. It is important to keep your tires at the ideal pressure for a better riding experience and to avoid getting a flat tire.

To get started place your scooter on a bench, chair, or box, making sure that the tires are easy to access. Start with the front tire - locate the air valve and remove the safety cap.

Attach the air hose and flip the latch to tighten it. You should be able to power on your electric pump and get a read of the current tire pressure.

If it's below 50PSI, start to inflate until the dial reads exactly 50.

If the pressure is higher than 50PSI, deflate the tire by pressing down on the air valve mechanism. To do so, find a small object such as a pen or key, and insert it into the air valve. You will hear the air escape. Do so until the tire feels flat, then reattach the electric pump and inflate until at 50PSI. When the tire is properly inflated, put the cap back on the air valve.

Repeat the process with the rear tire.

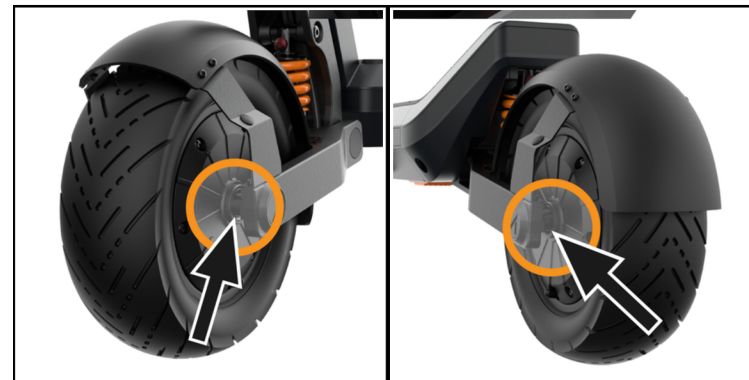
Bearing lubrication

The next maintenance step is to lubricate the bearings. Your bearings are the connection between the rotating wheels of your scooter and the non-rotating frame that holds them stable. As you use your scooter, the friction can cause the bearing to get worn out. We prevent this from happening by lubricating them regularly.

Start by cleaning/wiping the bearings using with a clean and wet towel, you can spin the wheel

at the same time which might make it easier for you to clean. After your bearings are clean, it's really important for you to add lubricant to the bearings, if you don't they will get worn very rapidly.

Spray the bearing lubricant generously. Spray directly at the bearings and in the general bearing direction, since they are sealed for better protection. Spin your wheel at the same time to make sure the lubricant is dispersed effectively.

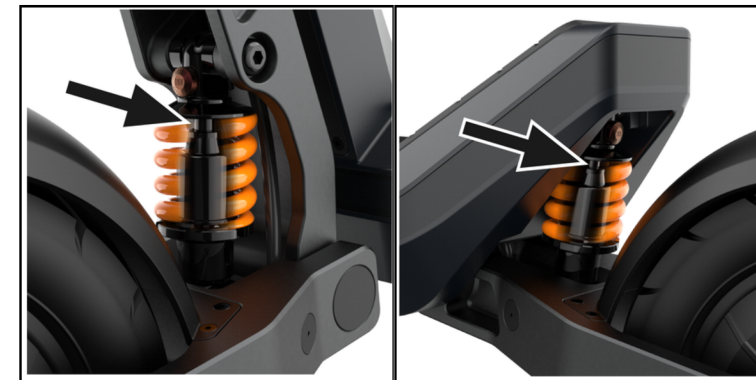


Suspension lubrication

Similar to the bearings, the suspension must also be lubricated. The constant movement of the suspension causes friction and may result in noises or squeaking sounds.

Ensure the suspension is clean before lubricating. Apply the Silicone base lubricant inside the spring and on the travel shaft of the spring located inside the coil. Then spray on the top and bottom pivot points of the suspension.

A good way to distribute the lubricant inside of the suspension spring is to jump lightly on the scooter following the application of lubricant. The up-down movement will create friction and will help distribute the lubricant throughout the suspension system.



Disc Brake Adjustment

Note: this section describes a basic adjustment to your brakes. For an in-depth brake adjustment tutorial, please visit the Servicing & Support Center.

Your brakes are an important component of your scooter. If you feel your brakes are not performing as well as they should, you might want to tighten your brakes.

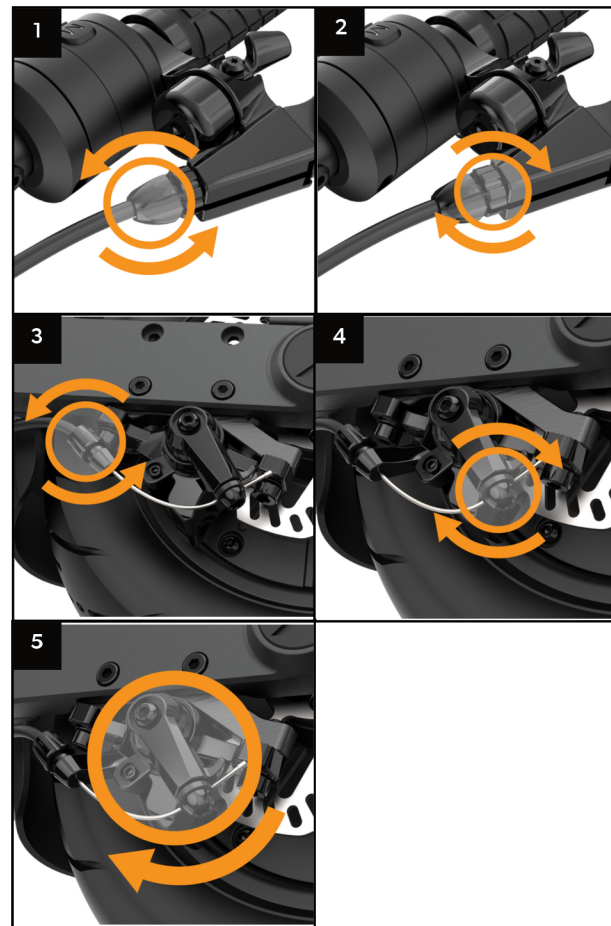
1 The first point of control of your brakes is your brake handle. Locate the adjustment screw at the connection of the brake line to the brake handle. Turn it counter-clockwise to tighten your brake and vice versa.

2 Once your brakes are tightened, screw in the retaining ring to secure the adjustment. If you have reached the maximum position of the adjustment screw and the brakes are not comfortably tight, proceed to the next step.

3 Find the brake caliper located on the right hand side of the wheel then identify the adjustment screw at the connection of the brake line to the caliper. Turning the adjustment screw counter clockwise will tighten your brake and vice versa. Pause after each turn to turn the wheel and apply the brake, testing the brake tension. When the brake feels comfortably tight, move on to the other handle/brake.

4 If the brake still doesn't feel tight after the previous step, locate the screw that holds the brake line to the caliper lever and loosen it.

5 Gently push the lever towards the inside of the caliper, then pull the brake line while holding the lever in that position. Afterward, tighten the screw. If the brakes are too tight, you can reverse the process and loosen them slightly.



Folding Mechanism Adjustment

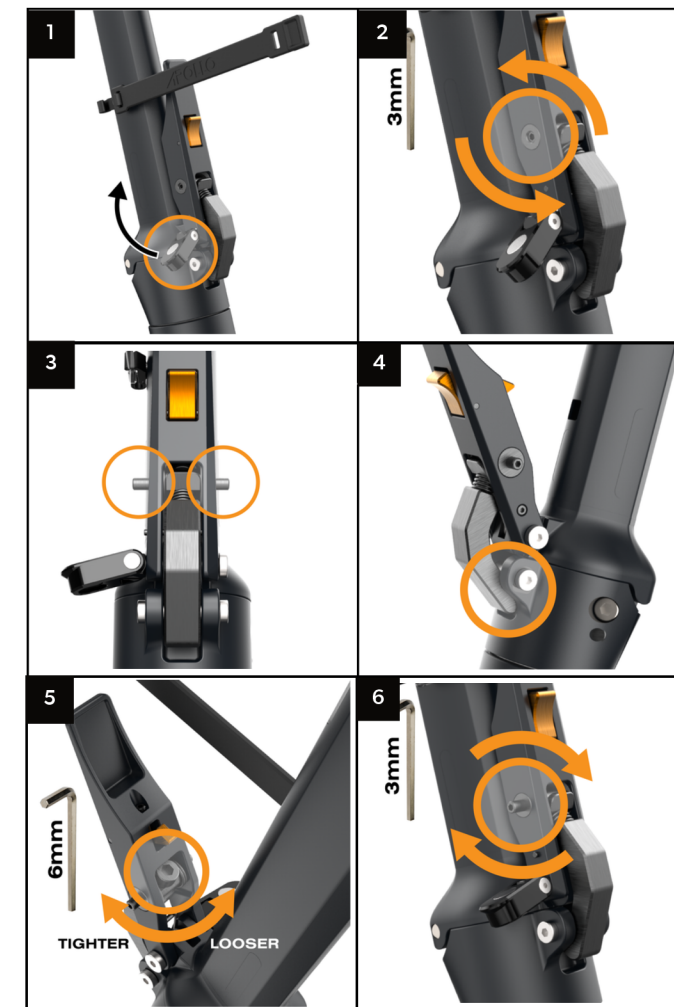
1 Unlock the safety hook by rotating it outward. This will allow for precise adjustment of the mechanism.

2 Loosen the two socket head screws using a 3 mm Allen wrench until they protrude from each side of the folding mechanism.

4 Pull the folding latch down until you can see the adjustment screw.

5 Using a 6 mm Allen wrench, tighten or loosen the screw to the appropriate setting.

6 Using a 3 mm Allen wrench, tighten the two socket head screws

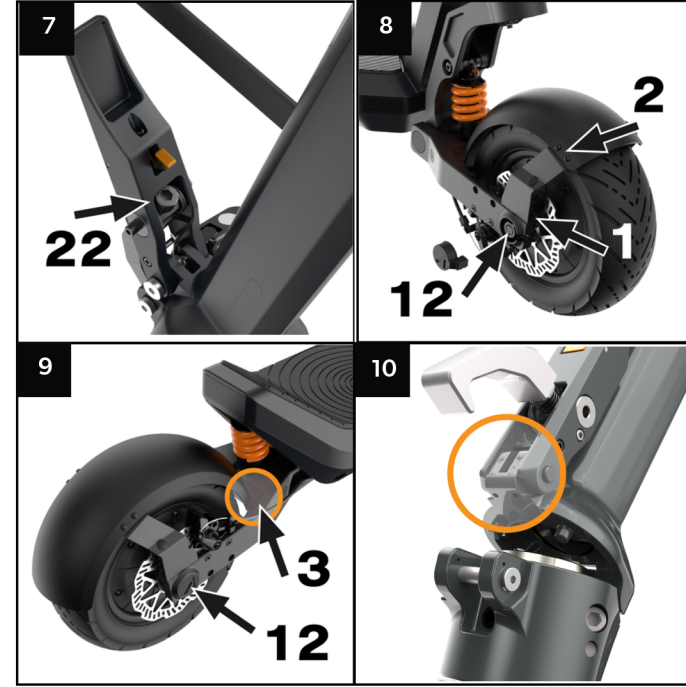
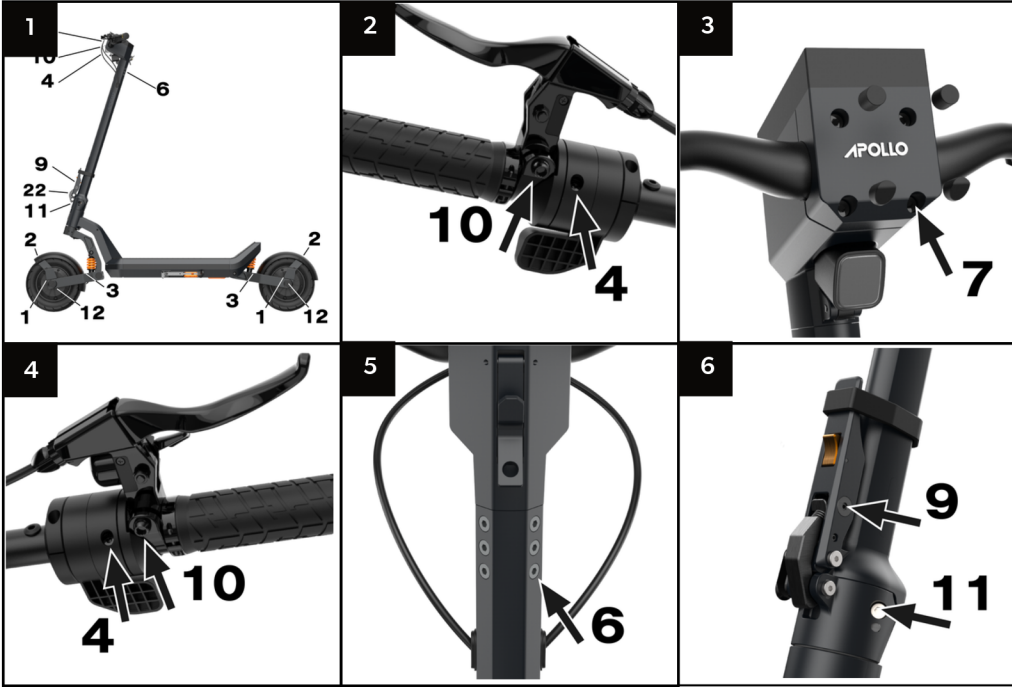


Screw Tightening

Use the included allen key to tighten the screws highlighted on the following graphics. You can refer to the screw list on the following page for additional information.

Your scooter motor creates vibrations when you ride it, which may cause the screws on your scooter to loosen over time.

We recommend checking your screws every few months to make sure they remain tight. You can use a medium strength headlocker adhesive to further improve their stability.



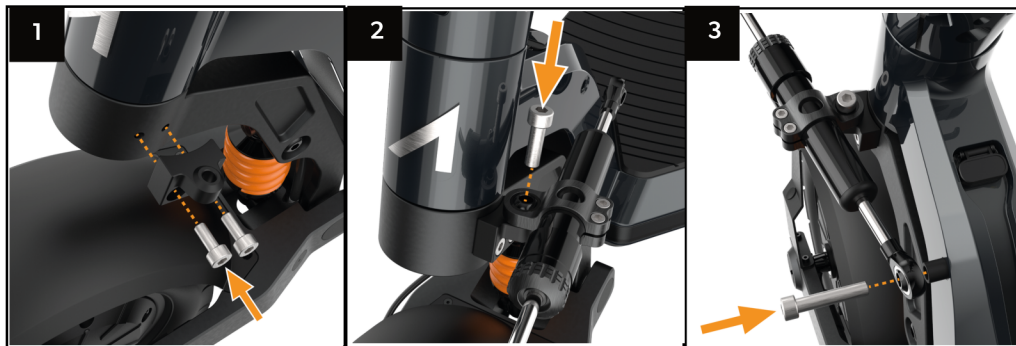
To ensure the longevity of your locking mechanism it is critical to periodically check for any wear and tear that might be happening.

- Make sure that all the screws and grub screws are tight and properly adjusted.
- Make sure that no observable wear is present in the location showed on the two pictures to the right.

Steering damper installation & adjustment

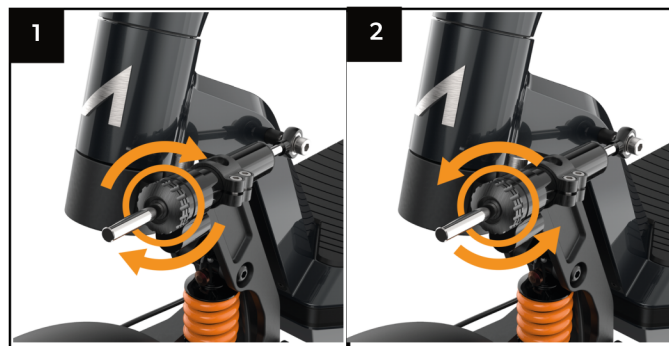
Installation

- 1 Mount the L shaped bracket on the left side of the swingarm using two #14 screws.
- 2 Place the steering damper with the rode pointing toward the front of the scooter and mount it on the L bracket with the screw #15.
- 3 Mount the other end of the damper to the side of the neck using the screw #13 and the spacer. Lastly make sure that all the screws are tight.



Adjustment

You can adjust the resistance of the steering by twisting the knob: clockwise for more stiffness and counterclockwise for a softer setting. The final adjustment of the damper depends on the road or track conditions and your riding preferences.



Maintenance Table

		5km	50 km	100km	300km	500km	1000km
Tires	Check tire pressure		X	X	X	X	X
Brakes	Ensure that the brakes are functional		X	Ensure that brakes are properly adjusted	Change brake pads	X	X
Lights	Ensure that all lights are working properly		X	X	X	X	X
Suspension	X		Ensure that the front and the rear suspension are properly tightened	X	X	Grease the suspension pin	Perform a full inspection of the suspension Change it at the slightest sign of wear
Locking Mechanism	Ensure that the locking mechanism is tight. Check for signs of wear See previous page)		Re-tension the locking mechanism	X	X	X	X
Battery	X		X	X	X	Review Battery health Refer to the app	X
Handlebar components	Ensure that all the handlebar components are properly tighten		X	X	X	X	X
Direction/bearings	Ensure no looseness in the steering system		Ensure that the main direction nut and top nut are not getting loose (First 50km)	X	X	Ensure that the main direction nut and top nut are not getting loose	X
Wheel nuts	X		Ensure that the wheel nut are properly fastened	X	X	X	X
Headset screws	X		Ensure that the headset is properly fastened	X	X	X	X
Lower stem locking screws	X		X	X	X	Ensure that the lower stem locking screws are properly torqued	X
Fender screws	X		X	X	X	Ensure that the fender screws are not coming loose	X



WARNING
Failure to follow the maintenance table may result in serious injuries or death.

NOTE:

For comprehensive details on maintenance tasks and step-by-step guides, please visit our Apollo Phantom 2.0 maintenance guide located on the Servicing & Support Center:



Tool & Screw List



TOOL LIST

Allen keys	1x
Manual	1x
Valve extender	1x
Air pump	1x
L pipe wrench	1x
Brake disc tool	1x



PARTS	Size	Torque	
Fender bracket screws/throttle end screws	M4 x 8 x 0.7	2 NM	
Fender side screws/front motor wire holder	M4 x 10 x 0.7	1 NM	
Fender bottom screws/swingarm covers/neck cover	M4 x 10 x 0.7	1 NM	
Throttle screw	M4 x 16	2 NM	
Handlebar grip screws	M4 x 10 x 0.7	2 NM	
Headset to stem screw	M5 x 16 x 0.8	5 NM	
Handlebar to headset screws	M6 x 25 x 1	5 NM	
Quad Lock screw	M5 x 25 x 0.8	1 NM	
Locking mechanism grub screw	M6 x 10 x 1	3 NM	
Brake handle screws	M6 x 18 x 1	2 NM	
Stem to front wheel assembly locking screws	M8 x 30 x 1.25	10 NM	
Wheel nuts	M14 x 1.5	25 NM	
Damper front screw	M8 x 25 x 1.25	5 NM	
Damper to front wheel assembly screws	M6 x 15 x 1	5 NM	
Damper to neck screw	M8 x 40 x 1.25	5 NM	
Brake bracket to swingarm screw	M6 x 20 x 1	8 NM	
Brake caliper to bracket screw	M6 x 12 x 1	10 NM	
Brake cable holder screw	M4 x 8 x 0.7	6 NM	
Deck screws	M4 x 8 x 0.7	6 NM	
Front light screw	M5 x 14 x 0.8	Hand	
Locknut for damper front screw	M8 x 14 x 0.8	Hand	

Screw List & Location

Screw number	Screw use/location	Size	Qty.
1	Fender bracket screws/throttle end screws	M4 x 8 x 0.7	1
2	Fender side screws/front motor wire holder	M4 x 10 x 0.7	1
3	Fender bottom screws/swingarm covers/neck cover	M4 x 10 x 0.7	1
4	Throttle screw	M4 x 16	1
5	Handlebar grip screws	M4 x 10 x 0.7	1
6	Headset to stem screw	M5 x 16 x 0.8	6
7	Handlebar to headset screws	M6 x 25 x 1	1
8	Quad Lock screw	M5 x 25 x 0.8	1
9	Locking mechanism grub screw	M6 x 10 x 1	1
10	Brake handle screws	M6 x 18 x 1	1
11	Stem to front wheel assembly locking screws	M8 x 30 x 1.25	1
12	Wheel nuts	M14 x 1.5	1
13	Damper front screw	M8 x 25 x 1.25	1
14	Damper to front wheel assembly screws	M6 x 15 x 1	1
15	Damper to neck screw	M8 x 40 x 1.25	1
16	Brake bracket to swingarm screw	M6 x 20 x 1	1
17	Brake caliper to bracket screw	M6 x 12 x 1	1
18	Brake cable holder screw	M4 x 8 x 0.7	1
19	Deck screws	M4 x 8 x 0.7	2
20	Front light screw	M5 x 14 x 0.8	1
21	Locknut for damper front screw	M8 x 6 x 1.25	1



Screw List & Location

Screw number	Screw use/location	Size	Qty.
1	Fender bracket screws/throttle end screws	M4 x 8 x 0.7	1
2	Fender side screws/front motor wire holder	M4 x 10 x 0.7	1
3	Fender bottom screws/swingarm covers/neck cover	M4 x 10 x 0.7	1
4	Throttle screw	M4 x 16	1
5	Handlebar grip screws	M4 x 10 x 0.7	1
6	Headset to stem screw	M5 x 16 x 0.8	6
7	Handlebar to headset screws	M6 x 25 x 1	1
8	Quad Lock screw	M5 x 25 x 0.8	1
9	Locking mechanism grub screw	M6 x 10 x 1	1
10	Brake handle screws	M6 x 18 x 1	1
11	Stem to front wheel assembly locking screws	M8 x 30 x 1.25	1
12	Wheel nuts	M14 x 1.5	1
13	Damper front screw	M8 x 25 x 1.25	1
14	Damper to front wheel assembly screws	M6 x 15 x 1	1
15	Damper to neck screw	M8 x 40 x 1.25	1
16	Brake bracket to swingarm screw	M6 x 20 x 1	1
17	Brake caliper to bracket screw	M6 x 12 x 1	1
18	Brake cable holder screw	M4 x 8 x 0.7	1
19	Deck screws	M4 x 8 x 0.7	2
20	Front light screw	M5 x 14 x 0.8	1
21	Locknut for damper front screw	M8 x 6 x 1.25	1



Screw List & Location

Screw number	Screw use/location	Size	Qty.
1	Fender bracket screws/throttle end screws	M4 x 8 x 0.7	1
2	Fender side screws/front motor wire holder	M4 x 10 x 0.7	1
3	Fender bottom screws/swingarm covers/neck cover	M4 x 10 x 0.7	1
4	Throttle screw	M4 x 16	1
5	Handlebar grip screws	M4 x 10 x 0.7	1
6	Headset to stem screw	M5 x 16 x 0.8	6
7	Handlebar to headset screws	M6 x 25 x 1	1
8	Quad Lock screw	M5 x 25 x 0.8	1
9	Locking mechanism grub screw	M6 x 10 x 1	1
10	Brake handle screws	M6 x 18 x 1	1
11	Stem to front wheel assembly locking screws	M8 x 30 x 1.25	1
12	Wheel nuts	M14 x 1.5	1
13	Damper front screw	M8 x 25 x 1.25	1
14	Damper to front wheel assembly screws	M6 x 15 x 1	1
15	Damper to neck screw	M8 x 40 x 1.25	1
16	Brake bracket to swingarm screw	M6 x 20 x 1	1
17	Brake caliper to bracket screw	M6 x 12 x 1	1
18	Brake cable holder screw	M4 x 8 x 0.7	1
19	Deck screws	M4 x 8 x 0.7	2
20	Front light screw	M5 x 14 x 0.8	1
21	Locknut for damper front screw	M8 x 6 x 1.25	1



TROUBLESHOOTING

Failure displays / Error Codes

If a malfunction occurs while using your Apollo Phantom 2.0, then one of the following failure display codes will appear on the screen:

PLEASE NOTE:

For full troubleshooting video library, visit our Servicing & Support Center



E1 F1

BRAKE ERROR

F1 is reported when the power-on self-test fails.
E1 is reported when the error occurs during operation.

Error Code:

If E1/F1 is reported, the brake handle or it's connection could be faulty.

Solution 1:

Check whether the brake handle wire is connected properly.

Solution 2:

Replace brake handle to test, if the error code goes away the handle was the issue.

Solution 3:

Replace the handlebar assembly to test, if the error code goes away the display was the issue.

E2 F2

THE THROTTLE ERROR

F2 is reported when the power-on self-test fails.
E2 is reported when the error occurs during operation.

Error Code:

If E2/F2 is reported, the throttle or it's connection could be faulty.

Solution 1:

Check whether the throttle wire is connected properly and the throttle isn't out of position.

Solution 2:

Replace the throttle to test, if the error code goes away the throttle was the issue.

Solution 3:

Replace the handlebar assembly to test, if the error code goes away the display was the issue.

E3

COMMUNICATION ERROR

E3 will show the error in power system running.

Solution 1:

Check if the connection between the handlebar assembly and the communication cable in the stem is good.

Solution 2:

Replace handlebars to test, If the error code goes away the handlebars were the issue.

Solution 3:

Replace the controller to test, if the error code goes away the controller was the issue.

E4

OVER CURRENT PROTECTION

If E4 error is reported continuously, it is considered to be hardware fault of controller.

Solution 1:

Check whether the brake handle wire is connected properly.

Solution 2:

Replace brake handle to test, if the error code goes away the handle was the issue.

Solution 3:

Replace the handlebar assembly to test, if the error code goes away the display was the issue.

E7

MOTOR SENSOR ERROR

If E7 is reported this means that a faulty motor sensor is present.

Solution:

Replace the motor to test, if the error goes away the motor was the issue.

E5

UNDER VOLTAGE PROTECTION

If E5 is reported continuously, check whether the battery voltage is too low (Below 30 Volts).

Solution:

Replace with a new battery to test, if the error goes away the battery was the issue.

E8

MOTOR PHASE LOSS

If E8 is reported this means that one or more phase connectors are not properly connected or properly working.

Solution 1:

Check if the phase wires are properly connected.

Solution 2:

Replace the controller to test, if the error goes away the controller was the issue.

Solution 3:

Replace the motor to test, if the error goes away the motor was the issue.

E6

OVER VOLTAGE PROTECTION

If E6 is reported the battery voltage is too high.

Solution:

The battery voltage is too high, avoid sudden braking, rushing actions and it will return to normal when part of the power has been used up.

E9

CONTROLLER ERROR

If E9 is reported continuously, this means that the controller is faulty.

Solution:

Replace the controller to test, if the error goes away the controller was the issue.

WARRANTY & SERVICES

Warranty Structure

All Apollo Scooters are covered with a 12-Month Limited Warranty. For more details about the warranty (also available in other languages) scan the QR code below.



Apollo Plus

Apollo Plus is a suite of services that will support our customers along every facet of scooter ownership. Apollo Plus provides peace of mind services to protect your orders while shipping, guarantee they are operating at the highest standard, and ensures you are back to riding as quickly as possible in case something goes wrong.

UL COMPLIANCE STATEMENT

Operating Temperature Range: -10°C ~ 40°C
Charge Temperature Range: 0°C ~ 25°C
Minimum and Maximum Rider Weight: 50~150 kg
Maximum speed: 20 km/h

We hope you enjoy your Apollo Phantom 2.0 Scooter as much as we loved developing it!

If you want to stay connected with us and learn all about our future innovations, you can follow us on:

 @APOLLO SCOOTERS

 @RIDEAPOLLO

 APOLLO SCOOTERS

 @RIDEAPOLLO

FCC COMPLIANCE STATEMENT

FCC COMPLIANCE STATEMENT

This device complies with part 15 of the FCC Rules.

Operation is subject to the following two conditions:

- (1) This device may not cause harmful interference, and
- (2) this device must accept any interference received, including interference that may cause undesired operation.

Note:

This equipment has been tested and found to comply with the limits for a Class B digital device, pursuant to Part 15 of the FCC Rules. These limits are designed to provide reasonable protection against harmful interference in a residential installation. This equipment generates, uses and can radiate radio frequency energy and, if not installed and used in accordance with the instructions, may cause harmful interference to radio communications.

However, there is no guarantee that interference will not occur in a particular installation. If this equipment does cause harmful interference to radio or television reception, which can be determined by turning the equipment off and on, the user is encouraged to try to correct the interference by one or more of the following measures:

- Reorient or relocate the receiving antenna.
- Increase the separation between the equipment and receiver.
- Connect the equipment into an outlet on a circuit different from that to which the receiver is connected.
- Consult the dealer or an experienced radio/TV technician for help.

Warning: Changes or modifications to this unit not expressly approved by the part responsible for compliance could void the user's authority to operate the equipment.

FCC RADIATION EXPOSURE STATEMENT

The device has been evaluated to meet general RF exposure requirement.
The device can be used in mobile(min20cm) exposure condition.

IC STATEMENT

This device complies with Canada Industry licence-exempt RSS standard(s). Operation is subject to the following two conditions:

- (1) this device may not cause interference; and
- (2) this device must accept any interference. Including interference that may cause undesired operation of the device.

Avis d'Industrie Canada

Le présent appareil est conforme aux CNR d'industrie Canada applicables aux appareils radio exem pts de licence L'exploitation est autorisée aux deux conditions suivantes:

- 1) l'appareil ne doit pas produire de brouillage; et
- 2) l'utilisateur de l'appareil doit accepter brouillage radioélectrique subi même si le brouillage est susceptible d'encompromettre le fonctionnement. mauvais fonctionnement de l'appareil.
CAN ICES-3 (B)/ CAN NMB-3 (B)

RADIATION EXPOSURE STATEMENT

This equipment complies with IC radiation exposure limits set forth for an uncontrolled environment. This equipment should be installed and operated with minimum distance 20cm between the radiator & your body.

Déclaration d'exposition aux radiations:

Cet équipement est conforme aux limites d'exposition aux rayonnements IC établies pour un environnement non contrôlé. Cet équipement doit être installé et utilisé avec un minimum de 20 cm de distance entre la source de rayonnement et votre corps.

APOLLO

MANUEL DE L'UTILISATEUR

USA

apolloscooters.co

CANADA

apolloscooters.ca

PHANTOM_{2.0}

INTRODUCTION

Bonjour le Monde !

Merci d'avoir acheté l'Apollo Phantom 2.0. L'industrie de la trottinette électrique est encore jeune et il faut des clients avant-gardistes comme vous pour la faire progresser. Nous espérons que vous apprécierez votre nouveau scooter autant que nous avons aimé le développer.

Le modèle présenté dans ce manuel est une représentation générale. Votre modèle spécifique peut présenter quelques différences de conception ou de fonctionnalité. Pour obtenir le manuel d'utilisation le plus précis et le plus récent, veuillez visiter notre centre de service et d'assistance.

Comment obtenir de l'aide ?

Nous sommes là pour vous aider, quel que soit le problème auquel vous êtes confronté. Vous pouvez nous contacter de la manière suivante :



⚠ AVERTISSEMENT

Un assemblage, un entretien ou une utilisation incorrecte de votre trottinette Apollo peut causer une défaillance des composants ou une perte de performances, une perte de contrôle, des blessures graves ou la mort.

Même si vous êtes un conducteur de trottinette expérimenté, vous devez lire et comprendre l'ensemble du manuel et toute documentation fournie pour les sous-composants ou les accessoires avant d'utiliser la trottinette.

En cas de mauvais fonctionnement ou de panne de l'un des composants pendant l'installation ou l'utilisation, veuillez interrompre l'installation ou l'utilisation et contacter notre équipe d'assistance.

Si vous n'êtes pas sûr d'avoir l'expérience, les compétences et les outils pour réaliser correctement toutes les étapes d'assemblage décrites dans le manuel et de la vidéo d'assemblage, consultez notre équipe d'assistance ou un magasin local de trottinettes électriques.

Pour votre sécurité et celle des autres, veuillez lire et vous assurez de bien comprendre tous les avertissements et les instructions contenus dans ce manuel. LE NON-RESPECT DE CES AVERTISSEMENTS PEUT ENTRAÎNER DES BLESSURES GRAVES, VOIRE MORTELLES.

Table des matières

Déballage.....	5
Assemblage	6
Fonctionnement	10
Réglages	16
Informations sur la batterie	17
Sécurité générale	18
Entretien de l'appareil.....	20
Tableau d'entretien	27
Liste des vis	28
Dépannage	32
Garantie	34
Déclaration FCC	36



DÉBALLAGE

⚠ AVERTISSEMENT

Un mauvais assemblage de votre trottinette Apollo peut causer une défaillance des composants ou une perte de performance, pouvant entraîner une perte de contrôle, des blessures sérieuses ou la mort. Dans le cas de dysfonctionnement ou de dommage de l'un des composants pendant l'installation de votre trottinette, veuillez cesser immédiatement l'installation, ne pas conduire la trottinette, et contacter notre équipe de support. Si vous n'êtes pas sûr d'avoir l'expérience, les compétences et les outils pour effectuer correctement toutes les étapes d'assemblage dans le manuel et la vidéo d'assemblage sur notre Centre de Service et de Support, consultez notre équipe d'assistance ou un magasin local de trottinettes électriques.

Intro

L'installation correcte de votre trottinette est l'étape la plus importante pour votre sécurité. Veuillez noter que ce processus est également disponible en format vidéo par l'intermédiaire de notre Centre de Service et de Support.

Nous vous recommandons d'avoir les éléments suivants à portée de main avant de commencer le processus d'installation :

- Cutter ou couteau
- Tabouret ou banc
- Pompe à air
- Quelqu'un pour aider

Déballez votre trottinette

Ouvrez la boîte en suivant les instructions imprimées sur la partie supérieure de la boîte.

A l'intérieur, vous devriez trouver de la mousse de polystyrène protectrice ainsi que le contenu suivant:

- Trottinette électrique Apollo Phantom 2.0
- Manuel d'utilisation
- Chargeur et câble
- Clé HEX
- Ensemble de vis

Si l'un de ces éléments est manquant, veuillez nous contacter immédiatement

Avec l'aide d'une personne, sortez la trottinette de la boîte et placez-la sur une surface plane.

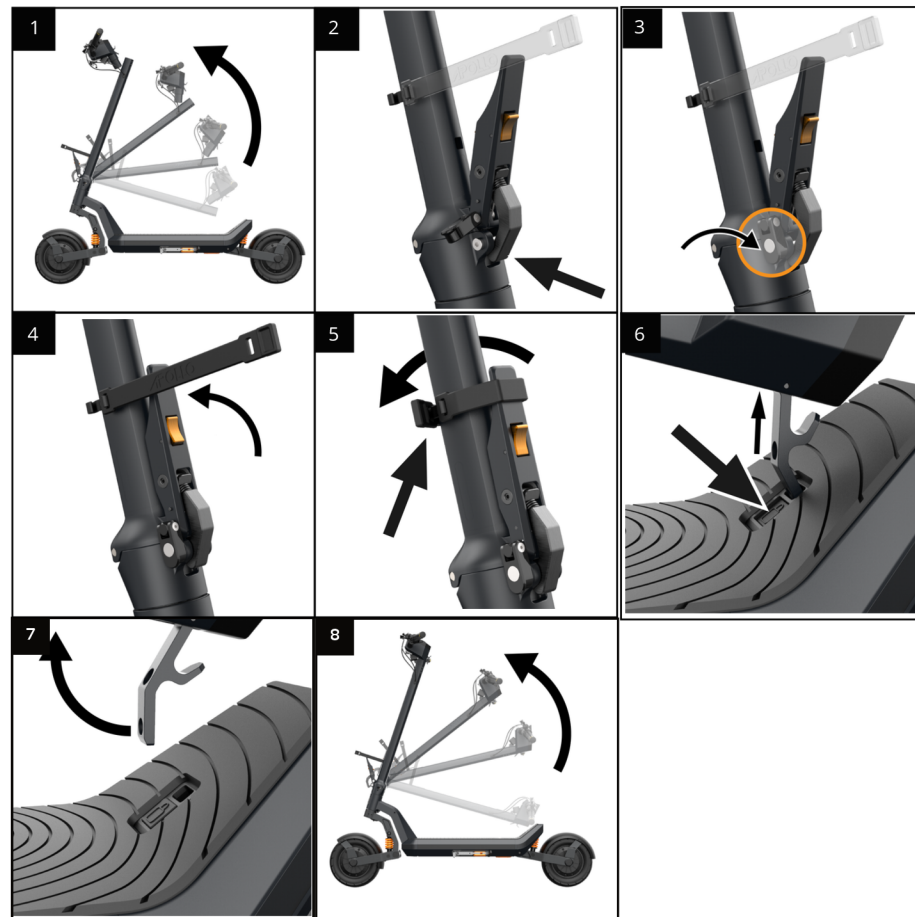
Nous recommandons d'utiliser un tabouret ou un banc car les roues doivent pouvoir tourner librement. Retirez soigneusement le matériau de protection de la trottinette et mettez-le de côté.

Nous vous conseillons de conserver le styromousse et la boîte au cas où vous auriez à nous renvoyer votre trottinette. Sinon recyclez les matériaux dans la mesure du possible.

Préparation l'assemblage

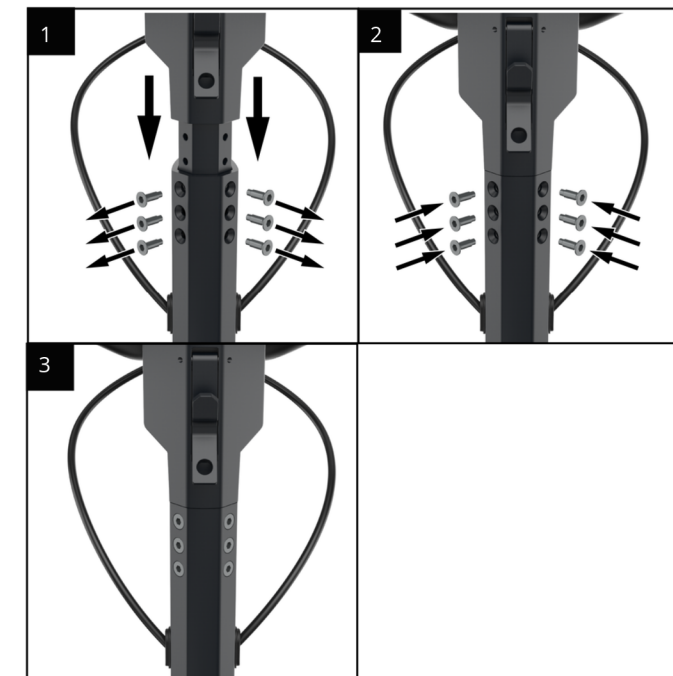
Dépliage

- 1 La première étape consiste à déplier votre Apollo Phantom 2.0
- 2 Dépliez la potence en la tirant jusqu'à ce qu'elle soit en position verticale. Veillez à le faire jusqu'à ce que la potence soit complètement verticale et que le crochet soit aligné tel qu'indiqué par la flèche.
- 3 Repérez le loquet de sécurité et rabaissez-le pour le verrouiller sur l'encoche.
- 4 Repérez ensuite le loquet de pliage et relevez-le pour verrouiller la potence. Il faudra un peu de force pour que le loquet se verrouille complètement à la verticale. Assurez-vous que le bouton de sécurité du mécanisme de pliage est enclenché dans la potence.
- 5 Par la suite, repérez la sangle et faites-la passer autour du loquet avant de l'attacher tel qu'indiqué sur la figure.
- 6 Si la potence est bloquée dans la plateforme, appuyez sur le bouton de déverrouillage indiqué par la grande flèche.
- 7 Repliez la languette vers la potence.
- 8 Tirez la potence vers le haut et suivez les étapes 2 à 5 pour verrouiller la potence en place.



Fixation du guidon

- 1 Connectez le câble de connexion mâle sortant du guidon au câble femelle sortant de la potence avant
- 2 Assurez-vous que les broches soient alignées. Assurez-vous que le port mâle et le port femelle soient correctement alignés. Insérez le guidon en haut de la potence avant et serrez-le en place à l'aide des 6 vis hexagonales fournies.
- 3 Attention : Veillez à ne pas endommager le câble lorsque vous connectez le guidon à la potence avant.



AVERTISSEMENT

Suivez toujours les instructions lorsque vous dépliez votre trottinette et avant chaque trajet. Le fait de ne pas s'assurer que le bouton de sécurité du mécanisme de pliage est cliqué dans la potence de la trottinette et de ne pas s'assurer que la potence est complètement verrouillée avant votre sortie peut conduire à ce que la potence se libère pendant votre sortie, ce qui peut entraîner une perte de contrôle, des blessures graves et même la mort. N'utilisez pas la trottinette si vous remarquez une anomalie au niveau de la potence de la trottinette, du bouton de sécurité ou du mécanisme de verrouillage.

Exécution de test

1 Localisez le bouton d'alimentation sur le côté droit du guidon et appuyez dessus pendant 3 secondes pour allumer la trottinette. Vous devriez maintenant être en mesure de voir l'écran allumé. Gardez la trottinette surélevée sur le tabouret ou le banc, car l'essai consistera à faire tourner les deux roues. La trottinette doit être en mode Kick to Start. Pour commencer à tester les moteurs, faites tourner la roue manuellement, puis appuyez sur l'accélérateur. Les roues devraient commencer à tourner normalement. Il se peut que vous remarquiez que l'un ou l'autre des moteurs émettent un bruit à faible vitesse, c'est normal.

Le moteur communique avec le contrôleur et identifie sa position ainsi que la direction dans laquelle il doit rouler. Si, après avoir effectué ce test, les roues tournent normalement, vous pouvez maintenant passer à l'étape 2.

⚠ AVERTISSEMENT

Si vous remarquez qu'un des moteurs ne tourne pas, **N'ESSAYEZ PAS DE FAIRE FONCTIONNER LA TROTTINETTE**. Contactez-nous immédiatement.

2 Commencez par tester vos freins. Appuyez sur l'accélérateur situé sur le côté droit du guidon et remarquez que les roues motrices commencent à accélérer. Continuez à accélérer pendant 5 secondes, puis relâchez l'accélérateur et appuyez sur le frein arrière. La roue doit s'arrêter immédiatement.

3 Testez le changement de vitesse en appuyant sur le bouton marche/arrêt rapidement une fois. Un clic court permet de passer d'un niveau de vitesse à l'autre :

- mode Eco
- mode Confort
- mode Sport

Pour passer en mode "Ludo", appuyez rapidement trois fois sur le bouton d'alimentation.

4 Ensuite, pour allumer les lumières appuyez une fois rapidement sur la touche mode. Confirmez que tous les feux s'allument: un phare avant et un phare arrière.

5 Pour activer Apple Find My, rendez-le « détectable ». Appuyez et maintenez le bouton M pendant 2 secondes.

⚠ AVERTISSEMENT

Si tous les feux ne s'allument pas, **N'ESSAYEZ PAS DE FAIRE FONCTIONNER LA TROTTINETTE**. Contactez-nous immédiatement via notre service d'assistance.

5 Testez vos clignotants droit et gauche. Commencez par tester votre clignotant droit en appuyant sur le bouton avec une flèche sur le côté droit de votre guidon. Vos clignotants droits devraient s'allumer. Pour les éteindre, cliquez à nouveau sur le bouton.

6 Pour tester vos clignotants gauches, appuyez sur le bouton flèche situé sur le côté gauche du guidon. Vos clignotants devraient s'allumer. Pour les éteindre, cliquez à nouveau sur le bouton.

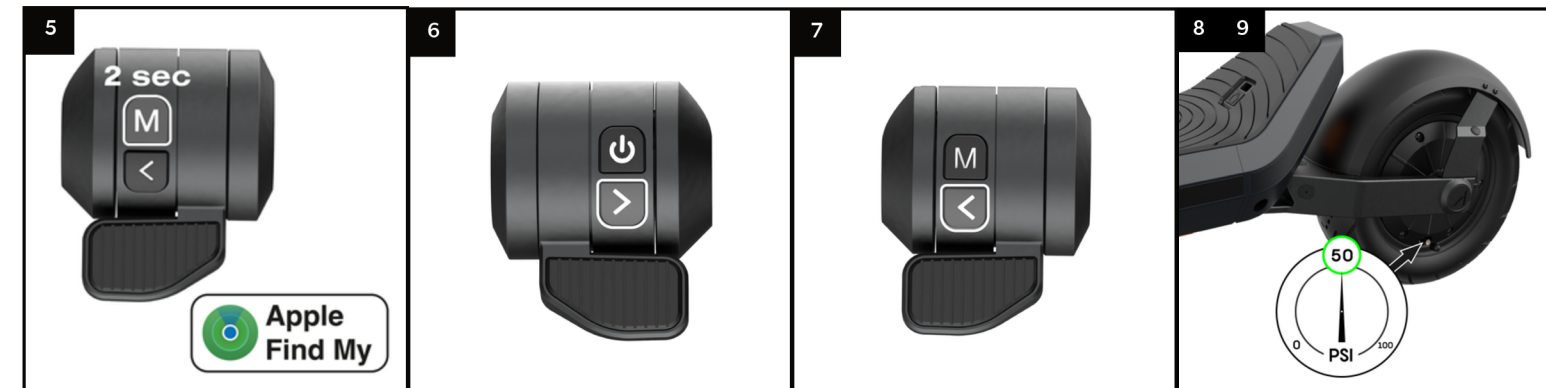
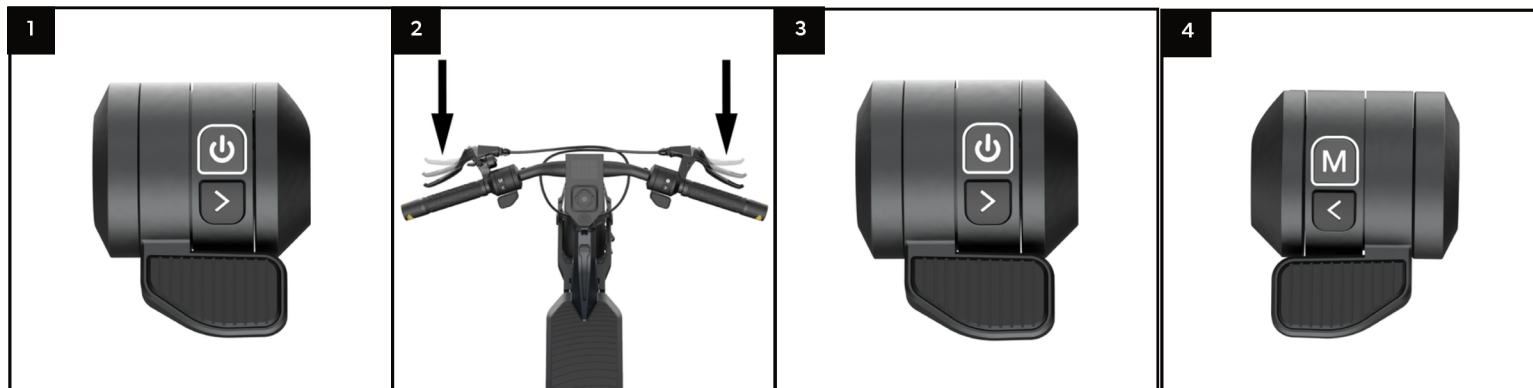
7 Ensuite, prenez une pompe à air et localisez la valve d'air du pneu avant.

Retirez le bouchon de sécurité et fixez le connecteur de la pompe à la valve du pneu. Mettez la pompe à air en marche et lisez la mesure PSI - la pression de pneu idéale pour le Phantom 2.0 est de 50PSI.

8 Gonfler ou dégonfler le pneu selon les besoins jusqu'à ce que la pression soit de 50PSI. Répétez l'étape avec le pneu arrière.

Félicitations, vous avez installé avec succès votre nouvelle Apollo Phantom 2.0.

Si vous rencontrez des difficultés dans l'installation à n'importe quelle étape, référez-vous à notre centre d'aide pour obtenir une vidéo de la procédure. Vous pouvez également contacter notre équipe d'assistance pour obtenir de l'aide.



FONCTIONNEMENT

Activation du NFC

Cette section vous montrera comment ajouter ou enlever une carte NFC à votre scooter, en suivant les étapes suivantes :

- 1 Pour ajouter une carte NFC, assurez vous que le scooter est déverrouillé, puis appuyez 6 fois sur le bouton d'alimentation, par la suite scannez la carte
- 2 Pour retirer la carte NFC, appuyez 7 fois sur le bouton d'alimentation, puis scannez la carte. puis scannez la carte

CONSEIL

Un maximum de deux cartes peuvent être enregistrées sur le scooter. Si vous voulez changer une carte, vous devez retirer une carte pour ajouter l'autre.

Recharge

Cette section explique comment recharger correctement votre trottinette. Pour obtenir des renseignements sur la santé de la batterie et les meilleures pratiques, veuillez vous référer à la section d'information sur la batterie.

Le bloc de batteries est livré avec un système de gestion intégré. Ce système comprend entre autres une protection contre la surcharge, ce qui permet à votre trottinette de rester branchée même après avoir été complètement chargée.

Veillez noter que cela s'applique à de courtes périodes de surcharge, par exemple si la trottinette est branchée pendant la nuit.

Ne pas laisser la trottinette branchée et en recharge pendant de longues périodes, car cela pourrait endommager la batterie ou créer un risque d'incendie.

CONSEIL

Vous devez éteindre la trottinette avant de la recharger.

⚠ AVERTISSEMENT

- Attention, risque d'incendie et de choc électrique.
- Aucune pièce ne peut être réparée par l'utilisateur.
- Une exposition prolongée aux rayons UV, à la pluie et aux intempéries peut endommager les matériaux du boîtier.
- Ranger l'appareil à l'intérieur lorsqu'il n'est pas utilisé.

1 Tout d'abord, assurez-vous que les deux parties du chargeur sont bien connectées. La prise murale de courant alternatif doit être connectée au boîtier du chargeur. La connexion entre le câble et le boîtier doit être ferme et sans jeu.

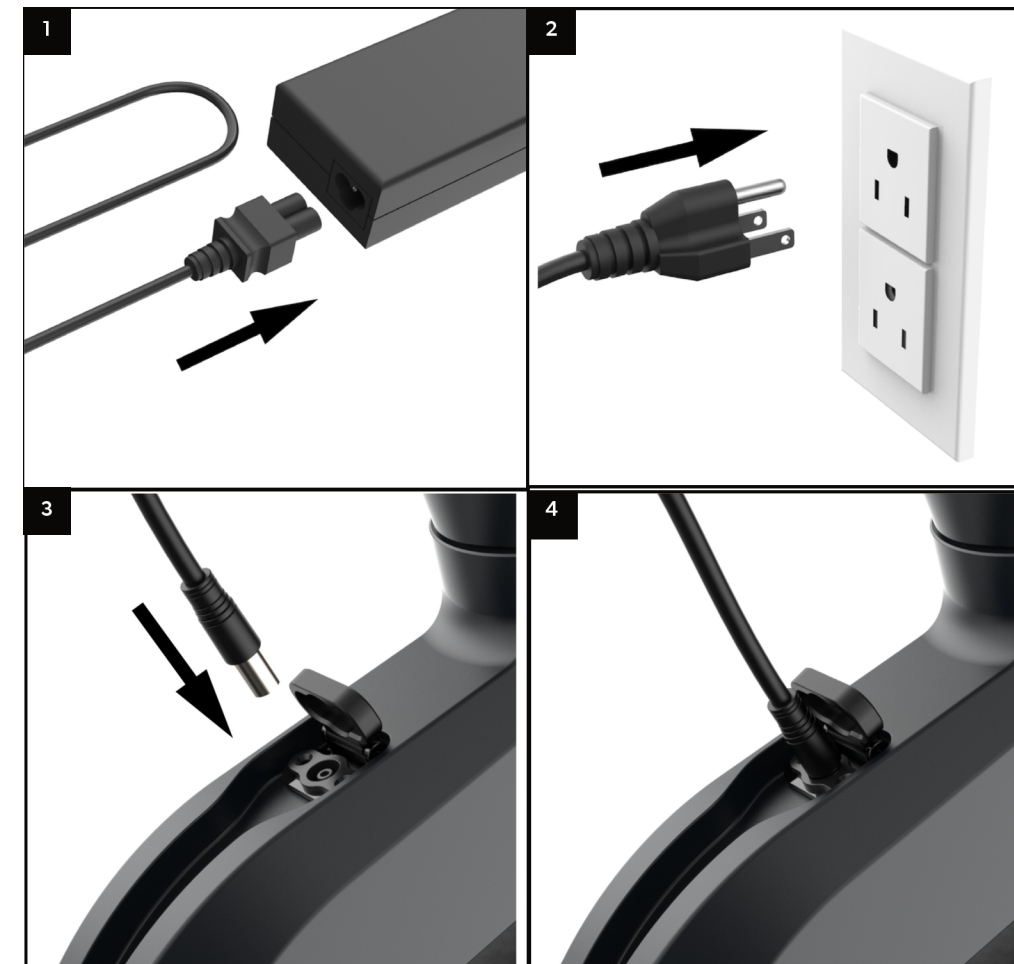
2 Branchez la fiche AC à l'autre extrémité du chargeur dans une prise de courant de 120 volts.

3 Ensuite, localisez le capuchon du port de charge sur votre scooter et ouvrez-le pour trouver le port de charge. Repérez le connecteur rond à l'une des extrémités du chargeur, c'est l'extrémité que vous devez insérer dans le port de charge.

4 Si la batterie est pleine à 100 %, le voyant du chargeur s'allume en vert. Si la batterie n'est pas complètement chargée, le voyant du chargeur s'allume en rouge.

⚠ AVERTISSEMENT

Utilisez toujours un chargeur conçu pour le modèle de votre scooter. Ne pas utiliser un chargeur compatible ou ne pas charger à la tension correcte peut endommager le scooter et sa batterie, ce qui peut entraîner un incendie, une électrocution, des dommages matériels, des blessures graves ou la mort.



Manettes d'accélération et de frein

L'Apollo Phantom 2.0 est équipée de deux manettes au pouce, une de chaque côté du guidon pour faciliter l'utilisation. La manette de gauche sert à freiner par régénération, la manette de droite sert à accélérer.

Les manettes sont conçues pour être progressives, ce qui signifie qu'une légère pression sur la manette entraînera une accélération/freinage proportionnellement faible. Une pression maximale sur l'accélérateur/frein déclenchera une puissance maximale et donc une accélération/freinage maximal.

AVERTISSEMENT

N'appuyez jamais sur les manettes lorsque vous marchez avec votre trottinette. Appuyer sur l'accélérateur en marchant avec la trottinette peut causer une perte de contrôle et des blessures sérieuses ou la mort pour vous ou d'autres personnes.

Comment Freiner

L'Apollo Phantom 2.0 dispose de deux types de freins distincts : un frein à régénération d'énergie dit « regen », qui permet de capter l'énergie du freinage et de recharger la batterie, et un frein à tambour.

Pour l'utiliser, appuyez sur la manette de gauche. Pour contrôler la douceur ou la brutalité de l'arrêt de votre trottinette, connectez-vous à votre Apollo App et réglez les préférences de freinage. La manette de frein regen est conçue pour être progressive - cela signifie qu'une pression douce sur la manette des gaz exercera proportionnellement peu de puissance de freinage. Une pression maximale sur la manette des gaz déclenchera une sortie maximale et donc une puissance de freinage maximale. Pour plus d'informations sur l'application Apollo, reportez-vous à la section App de ce manuel.

Freinage pour la première fois

Avant de prendre votre trottinette pour une sortie, nous vous recommandons de régler le frein regen dans votre Apollo App. Reportez-vous à la section App de ce manuel pour plus d'informations.

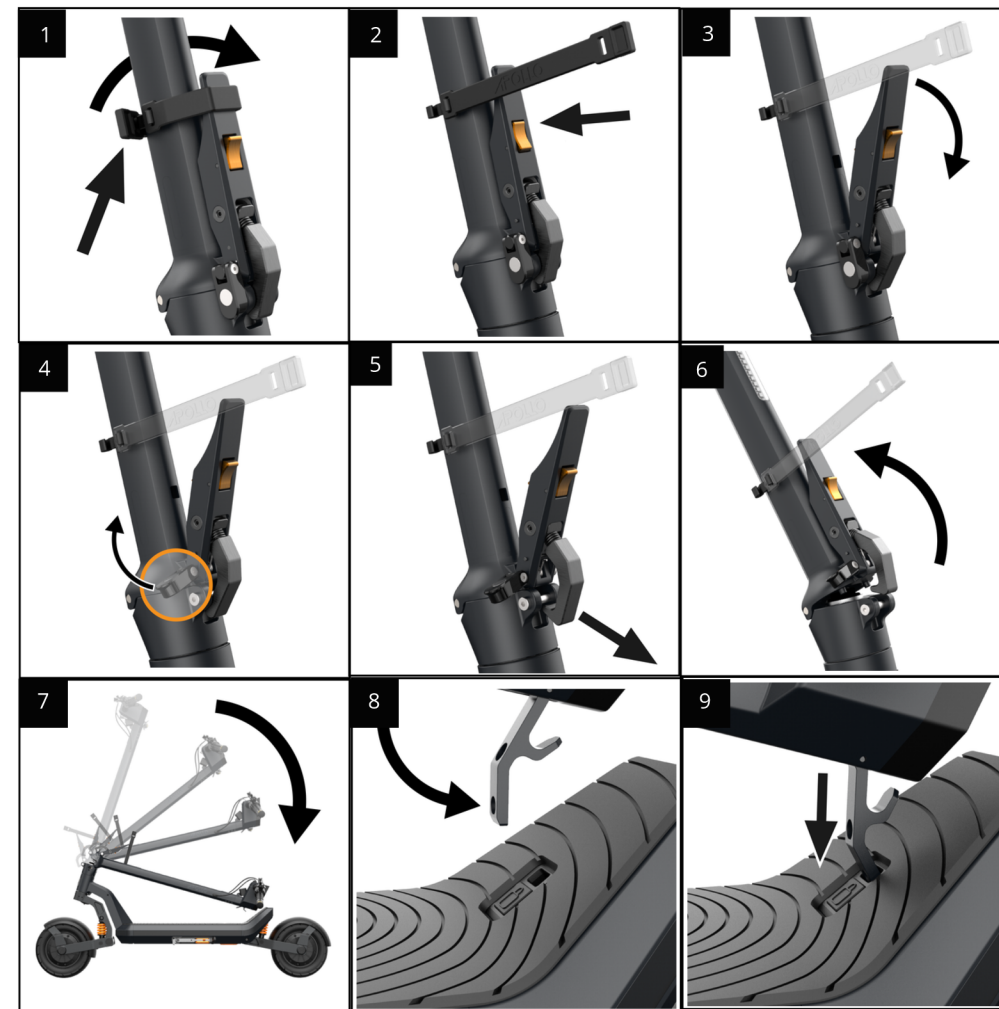
CONSEIL

Nous vous recommandons de ne pas utiliser le frein regen lorsque la batterie est chargée à 100 %, car cela pourrait entraîner une surcharge de la batterie et endommager le contrôleur ou la batterie. Vous ne devez commencer à utiliser le frein regen que lorsque la batterie est chargée à 90 % ou moins.

En outre, n'oubliez pas que l'utilisation du frein regen pendant de longues périodes (par exemple, une longue descente) peut générer beaucoup de chaleur et avoir un impact négatif sur le contrôleur. Nous recommandons de n'utiliser le frein regen que pendant de courtes périodes.

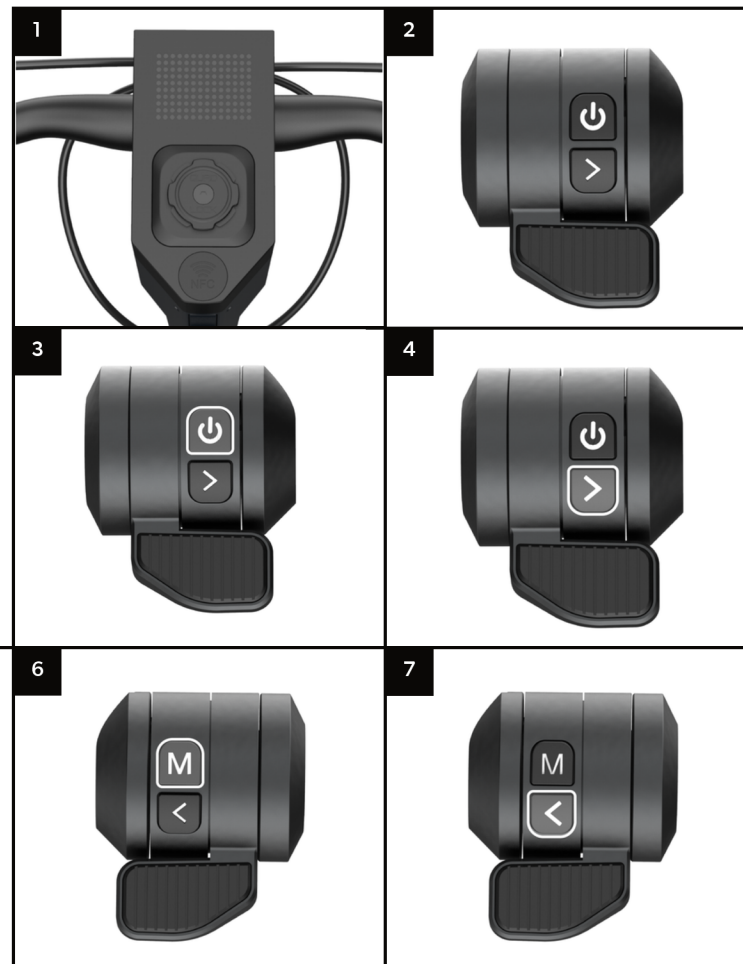
Pliage

- 1 Pour plier, commencez par localiser et détacher la ceinture autour du loquet de pliage.
- 2 Par la suite, localiser le bouton de sécurité et appuyez dessus pour déverrouiller le loquet de pliage.
- 3 Saisissez le loquet de pliage et tirez-le vers le bas pour plier la potence.
- 4 Localiser le loquet de sécurité et pivoter le vers l'extérieur. Veillez à garder une main sur la potence à tout moment, car elle s'abaisse instantanément une fois que le loquet de pliage est relâché.
- 5 Tirez vers le bas jusqu'à ce que vous sentiez que le loquet de pliage est complètement ouvert.
- 6 Pliez la potence vers le plateau.
- 7 Assurez-vous qu'elle est complètement repliée avant de passer à l'étape suivante.
- 8 Déployez la languette située sur le guidon.
- 9 Abaissez doucement la potence jusqu'à ce que la languette puisse être insérée dans le plateau.



Commandes du guidon

- 1 Écran d'affichage
- 2 Accélérateur (manette côté droit du guidon)
- 3 Accélérateur - bouton d'alimentation - changement de vitesse
- 4 Accélérateur – clignotant droit / signal de virage à droite
- 5 Frein regen (manette côté gauche du guidon)
- 6 Frein regen - Bouton de mode - lumière allumée/éteinte
- 7 Frein regen – clignotant gauche / signal de virage à gauche



ÉCRAN D'AFFICHAGE

L'écran d'affichage, situé sur le guidon, vous indique la vitesse, la charge de la batterie et les éventuelles pannes.

La trottinette est contrôlée par trois boutons :

BOUTON D'ALIMENTATION

1. Un clic long - Marche / Arrêt
2. Compteur de vitesse
3. Appuyez rapidement deux fois - Changement de vitesse (cycle de 1-2-3)
4. Appuyez rapidement trois fois — Entrer mode « Ludo »

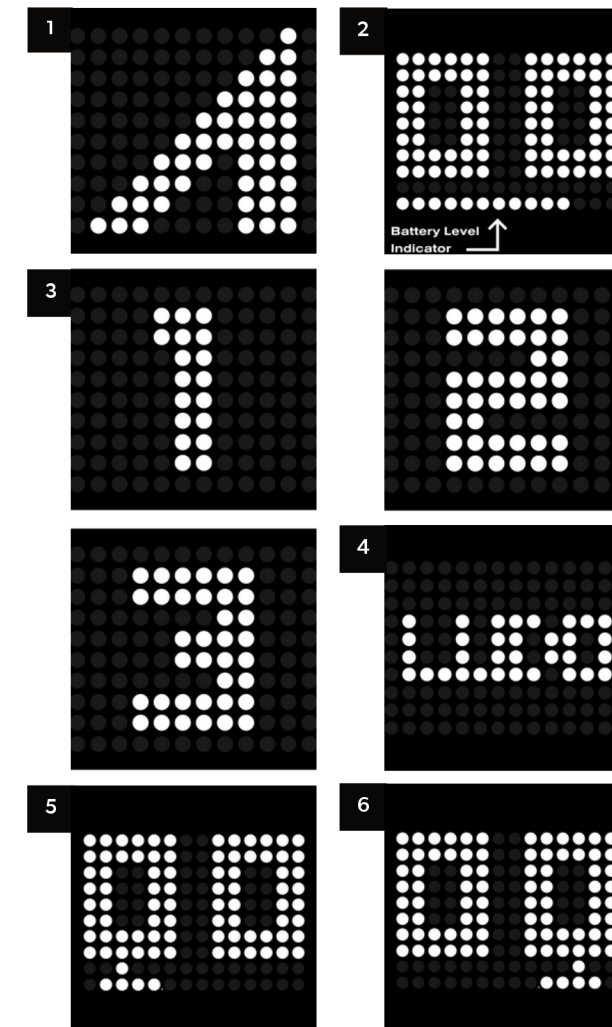
CLIGNOTANTS

6. Appuyez rapidement la flèche gauche - clignotant gauche
7. Appuyez rapidement la flèche droite - clignotant droit

BOUTON MODE (M)

Un clic - Allumer/éteindre l'éclairage avant
Double clic - Allumer/éteindre les lumières du cadre et de la potence
(non affiché sur l'écran)

Pendant la conduite, vous pouvez remarquer un bip sonore occasionnel, indiquant que vous roulez au-dessus de la vitesse sélectionnée. (Non affiché sur l'écran)



REGLAGES

APP

Vous pouvez gérer vos paramètres par l'intermédiaire de l'application Apollo :

- Contrôle des modes de vitesse
- Contrôle de l'unité de vitesse (KMH/MPH)
- Contrôle de la vitesse maximale
- Contrôler l'accélération et le frein regen
- Contrôler le contrôle de la cuise ON/Off
- Contrôle du temps nécessaire pour que le régulateur de vitesse se mette en marche
- Contrôler le mode KickStart On/Off

*Les paramètres que vous pouvez contrôler via l'application Apollo peuvent changer avec les futures mises à jour de l'application.

L'application Apollo est disponible pour iOS et Android. Pour la télécharger, visitez notre site web - <http://apolloscooters.co> - ou recherchez-la dans votre APP store sous le nom d'Apollo Scooters.

Vous pouvez également la télécharger en utilisant le code QR suivant :



Pour utiliser l'application, suivez les étapes indiquées dans l'application. Des mises à jour de l'application peuvent être déployées à tout moment pour améliorer l'expérience de l'utilisateur. Pour tout problème lié à l'application ou pour obtenir les dernières informations relatives à l'application, veuillez contacter notre équipe d'assistance qui vous fournira les dernières informations.

INFO BATTERIE & BATTERIE FAIBLE

Recharge

- Rechargez complètement la trottinette après chaque trajet. Cela prolongera la durée de vie de la batterie.
- Lors de la recharge, attendez que le voyant du chargeur devienne vert. Le processus de recharge est alors terminé et toutes les cellules auront été équilibrées par le système de gestion de la batterie.
- Si la trottinette n'est pas utilisée, allumez la trottinette au moins une fois par mois pour contrôler le niveau de charge. Idéalement, le niveau de charge devrait se situer entre 70% et 90 %.

- Référence du modèle de trottinette électrique : 5272 , A11 Phantom 2.0
- Référence du modèle de chargeur : SPC-290WW-588045
- Référence du modèle de batterie : JT-ESB14-01

Stockage

- La température de stockage doit être comprise entre 10°C et 25°C / 50°F – 77°F
- Pour un stockage à long terme (en hiver par exemple), le niveau idéal de la batterie est d'environ 70% (50V) environ 70% (50V). Cela s'explique par le fait qu'à un niveau de charge de 70 %, l'énergie à l'intérieur des cellules de la batterie est la plus stable.

AVERTISSEMENT

Utilisez toujours un chargeur conçu pour le modèle de votre scooter. Ne pas utiliser un chargeur compatible ou ne pas charger à la tension correcte peut endommager le scooter et sa batterie, ce qui peut entraîner un incendie, une électrocution, des dommages matériels, des blessures graves ou la mort.

Un stockage et un recharge inadaptés peuvent endommager la trottinette

- Attendez 30 minutes après un trajet avant d'essayer de recharger la batterie.
- Ne laissez pas la trottinette dans des endroits froids (comme des garages non chauffés ou des remises extérieures).
- Ne laissez pas la batterie sous-chargée pendant 48 heures ou plus. Cela peut endommager la batterie, ce qui n'est pas couvert par la garantie.
- N'utilisez pas de chargeurs qui ne sont pas vendus ou approuvés par Apollo Scooters.
- Conservez la batterie à l'écart de la chaleur ou du feu. Le non-respect de cette consigne peut entraîner des blessures graves ou la mort.
- Si la batterie est endommagée, la trottinette ne s'allumera pas après avoir été rechargée ou elle ne pourra pas être rechargée. **N'ESSAYEZ PAS DE FAIRE FONCTIONNER LA TROTTINETTE.** Contactez-nous immédiatement

INSTRUCTIONS ET AVERTISSEMENTS CONCERNANT LA CONDUITE EN TOUTE SÉCURITÉ

AVERTISSEMENT

Les trottinettes Apollo sont conçues pour être utilisées par des adultes et ne doivent pas être utilisées par des personnes de moins de 18 ans. Si le conducteur souffre d'un handicap ou d'une déficience (visuelle, auditive, linguistique, épilepsie, etc.), veuillez consulter votre médecin avant tout déplacement ou achat d'une trottinette électrique.

Vous êtes responsable de faire preuve de diligence raisonnable, de comprendre et de suivre toutes les lois, règles et règlements, pour l'utilisation sûre et légale de votre trottinette électrique, dans les endroits où vous choisirez de l'utiliser.

Si elles ne sont pas utilisées correctement ou légalement, les trottinettes électriques peuvent entraîner des blessures ou la mort. En achetant une trottinette Apollo, vous assumez la responsabilité de son fonctionnement sûr et légal ainsi que les risques de tout manquement à une utilisation sûre et légale. Toutes les amendes dues à une utilisation illégale ou non autorisée, y compris, mais sans s'y limiter, tout manquement au port de l'équipement de protection, sont de votre responsabilité. Si vous avez des questions ou des préoccupations, n'hésitez pas à nous contacter. Lisez attentivement l'ensemble du manuel.

En cas de doute sur une section, contactez-nous directement ou visitez notre Centre de Service et de Support pour obtenir de plus amples informations. Nous recommandons toujours de commencer progressivement et de s'habituer à la trottinette avant de rouler à des vitesses plus élevées et sur de plus longues distances.

- Portez TOUJOURS un casque lorsque vous conduisez.
- Inspectez TOUJOURS votre trottinette avant de la conduire. Ne roulez pas si vous remarquez des dommages sur votre trottinette.
- TOUJOURS s'assurer que le bouton de sécurité du mécanisme de pliage est clipsé dans la potence et que la potence est complètement fixée avant de commencer à rouler.
- Gardez TOUJOURS les deux mains sur le guidon lorsque vous roulez.
- Roulez TOUJOURS en toute sécurité et à une vitesse appropriée pour éviter les chutes et les collisions.
- Évitez TOUJOURS tout contact avec les parties mobiles de la trottinette, telles que le moteur et les roues.
- NE JAMAIS conduire sous l'influence de drogues, d'alcool ou de substances qui pourraient limiter ou affecter le jugement, le contrôle ou la sécurité du conducteur. Vous devez toujours conduire avec un esprit pleinement conscient et sobre pour assurer une conduite sûre.
- Ne dépassez JAMAIS le poids maximum de la trottinette.
- NE JAMAIS rouler sur les trottoirs ou les autoroutes.
- NE JAMAIS rouler avec plus d'un conducteur.
- NE JAMAIS monter des escaliers, faire sauter la trottinette ou la conduire à grande vitesse sur des bosses, car il y a un risque de perte de contrôle.
- Ne faites JAMAIS de course ou de cascades avec la trottinette.

Fonctionnement en conditions humides

AVERTISSEMENT

En cas de pluie, de neige, de glace ou d'autres conditions humides, les distances de freinage augmentent et le risque de perte de contrôle augmente. La conduite dans ces conditions, et/ou le fait de ne pas tenir compte de l'augmentation des distances de freinage, peut entraîner une perte de contrôle, des blessures graves ou la mort.

Conduire votre trottinette sous une forte pluie ou dans des conditions humides peut introduire de l'humidité dans le compartiment principal, ce qui pourrait endommager les composants électroniques du scooter.

AVERTISSEMENT

Poids maximum et minimum du pilote: 50~150kg
Vitesse maximum: 20 km/h
Mise au rebut: Manipuler conformément aux réglementations locales.

Équipements de protection

AVERTISSEMENT

Nous recommandons vivement de porter un équipement de protection chaque fois que la trottinette est utilisée. Outre le port systématique d'un casque, il est recommandé de porter d'autres équipements de protection, y compris, mais sans s'y limiter, des genouillères et des coudières, ainsi qu'une armure de protection.

AVERTISSEMENT

Le fonctionnement par temps froid pourrait provoquer une accumulation de condensation et d'humidité dans le compartiment principal, ce qui pourrait endommager les composants électroniques du scooter.

Éviter l'exposition à l'eau et à l'humidité

CONSEIL

Vous devez éviter d'exposer votre trottinette à l'eau et à l'humidité. Les trottinettes Apollo ne sont pas imperméables et ne sont pas conçues pour une exposition extrême ou prolongée à l'eau ou à l'humidité. L'utilisation de votre trottinette dans des conditions de pluie, d'humidité ou d'autres conditions extrêmes (glace, neige, etc.) peut entraîner une défaillance des composants ou des performances, en plus d'une perte de contrôle, de blessures graves ou de la mort. Veuillez noter que tout dommage à la trottinette dû à l'exposition à l'eau n'est pas couvert par la garantie.

ENTRETIEN

AVERTISSEMENT

Un assemblage, un entretien ou une utilisation incorrects de votre trottinette Apollo peuvent entraîner une défaillance des composants ou des performances, une perte de contrôle, des blessures graves ou la mort.

REMARQUE :

Cette section est disponible dans un tutoriel vidéo qui peut être trouvé sur notre Centre de Service et de Support

Pour commencer

Nous vous recommandons d'effectuer l'entretien de votre trottinette conformément au tableau qui se trouve à la page 25 de ce manuel, afin de vous assurer que tous les composants fonctionnent correctement. Cependant, si vous avez besoin d'informations supplémentaires ou d'aide, veuillez contacter notre équipe d'assistance directement par le biais de notre service d'assistance

Une vérification comprend les étapes suivantes :

- Vérification de la pression des pneus
- Lubrification des roulements
- Lubrification de la suspension
- Réglage des freins
- Serrage des vis

Pour ce faire, vous aurez besoin de quelques éléments, qui peuvent tous être achetés dans un magasin de bricolage local. Si vous avez des difficultés à trouver ces articles, contactez notre équipe d'assistance pour obtenir de l'aide :

- Pompe électrique pour pneus/gonflage
- Lubrifiant à base de silicone
- Lubrifiant à roulement
- Loctite bleu
- Boîte à outils de base

Il s'agit d'articles peu coûteux qui, s'ils sont utilisés régulièrement, peuvent prolonger considérablement la durée de vie de votre trottinette. En d'autres termes, il s'agit d'un investissement qui vaut la peine d'être fait.

Pression des pneus

Commençons par un contrôle de la pression des pneus, qui vous permettra de connaître la pression de vos pneus. La pression idéale des pneus de l'Apollo Phantom 2.0 est de 50 PSI. Il est important de maintenir vos pneus à la pression idéale pour une meilleure expérience de conduite et pour éviter les crevaisons.

Pour commencer, placez votre trottinette sur un banc, une chaise ou une caisse, en veillant à ce que les pneus soient faciles d'accès. Commencez par le pneu avant - localisez la valve d'air et retirez le bouchon de sécurité.

Attachez le tuyau d'air et basculez le loquet pour le serrer. Vous devriez être en mesure de mettre en marche votre pompe électrique et d'obtenir une lecture de la pression actuelle des pneus.

Si elle est inférieure à 50 PSI, commencez à gonfler jusqu'à ce que le cadran indique exactement 50 PSI.

Si la pression est supérieure à 50 PSI, dégonflez le pneu en appuyant sur le mécanisme de la valve d'air. Pour ce faire, trouvez un petit objet tel qu'un stylo ou une clé et insérez-le dans la valve d'air. Vous entendrez l'air s'échapper. Procédez ainsi jusqu'à ce que le pneu semble plat, puis rebranchez la pompe électrique et gonflez le pneu jusqu'à ce qu'il atteigne une pression de 50 PSI. Lorsque le pneu est correctement gonflé, remettez le bouchon sur la valve d'air.

Répétez l'opération avec le pneu arrière.

Lubrification des roulements

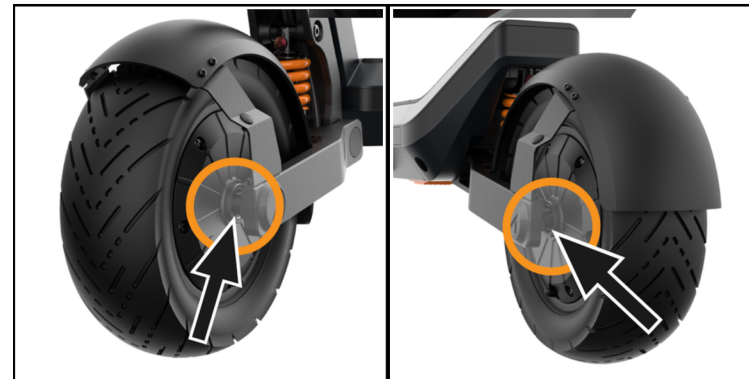
La prochaine étape de l'entretien consiste à lubrifier les roulements. Vos roulements sont la connexion entre les roues de votre trottinette et l'axe de la roue qui les maintient stables. Au fur et à mesure que vous utilisez votre trottinette, le frottement peut entraîner l'usure des roulements.

Nous évitons cela en les lubrifiant régulièrement.

Commencez par nettoyer/essuyer les roulements à l'aide d'une serviette propre et humide.

Vous pouvez faire tourner la roue en même temps, ce qui facilitera le nettoyage. Une fois les roulements nettoyés, il est très important d'ajouter du lubrifiant à roulements, sinon ils s'useront très rapidement.

Pulvérissez généreusement le lubrifiant directement sur les roulements et dans le sens général des roulements, puisqu'ils sont scellés pour une meilleure protection. Faites tourner votre roue en même temps pour vous assurer que le lubrifiant se disperse efficacement.

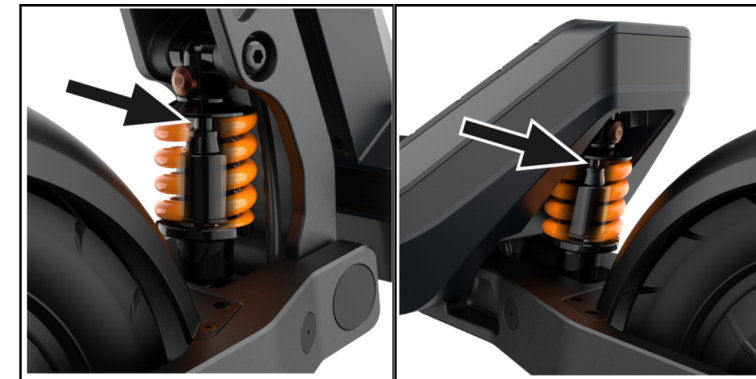


Lubrification de la suspension

Tout comme les roulements, la suspension doit également être lubrifiée. Le mouvement constant de la suspension provoque des frottements et peut entraîner des bruits ou des grincements.

S'assurer que la suspension est propre avant de la lubrifier. Appliquer le lubrifiant à base de silicone à l'intérieur du ressort et sur l'axe de déplacement du ressort situé à l'intérieur de la bobine. Pulvériser ensuite sur les points d'articulation supérieurs et inférieurs de la suspension.

Une bonne façon de distribuer le lubrifiant à l'intérieur du ressort de suspension est de sauter légèrement sur la trottinette après l'application du lubrifiant. Le mouvement de haut en bas créera une friction et aidera à distribuer le lubrifiant dans tout le système de suspension.



Réglage des freins à disque

Note : pour un tutoriel plus approfondi sur le réglage des freins, veuillez consulter le Centre de Service et de Support.

Vos freins sont un élément important de votre scooter. Si vous avez l'impression que vos freins ne fonctionnent pas aussi bien qu'ils le devraient, vous pourriez vouloir les resserrer.

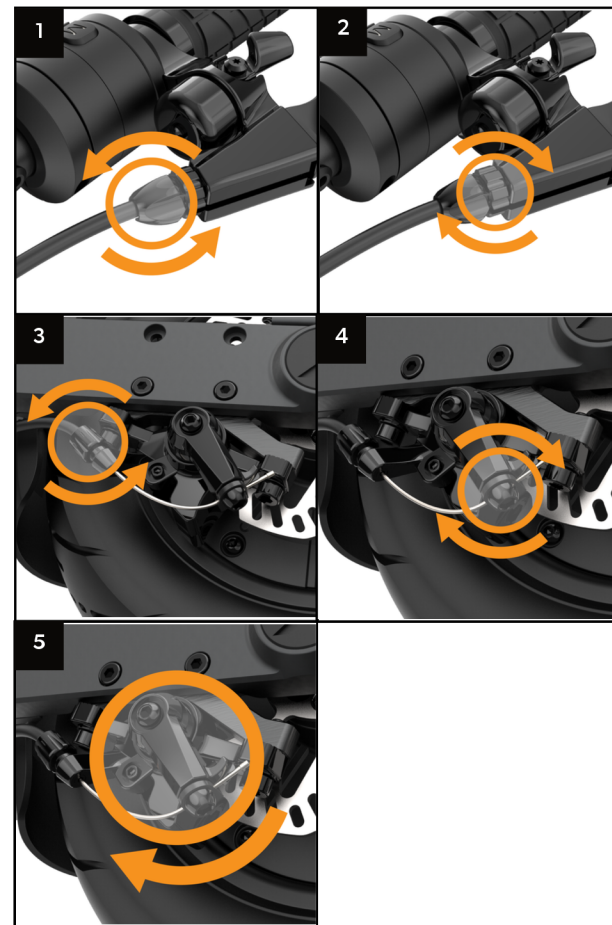
1 Le premier point de contrôle de vos freins est votre poignée de frein. Repérez la vis de réglage au niveau du raccordement de la conduite de frein à la poignée de frein. Tournez-la dans le sens inverse des aiguilles d'une montre pour serrer votre frein et vice-versa.

2 Une fois vos freins serrés, vissez l'anneau de retenu afin de sécuriser le réglage. Si vous avez atteint la position maximale de la vis de réglage et que les freins ne sont pas assez serrés, passez à l'étape suivante.

3 Repérez l'étrier situé sur le côté droit de la roue. Puis identifiez la vis de réglage au niveau de la connexion du câble. En tournant la vis dans le sens inverse des aiguilles d'une montre, vous serrez votre frein et vice versa. Après chaque tour, faites une pause pour tourner la roue et freiner, afin de tester la tension du frein. Lorsque le frein est bien serré, passez à l'autre poignée/frein.

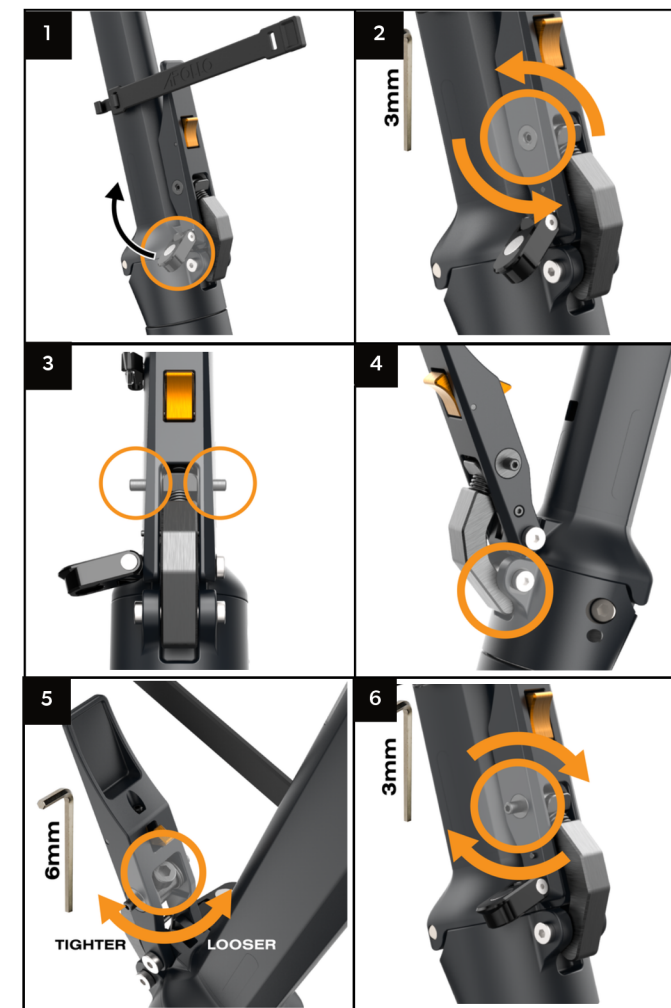
4 Si le frein n'est toujours pas serré après l'étape précédente, localisez la vis qui retient la conduite de frein au levier de l'étrier et desserrez-la.

5 Poussez doucement le levier vers l'intérieur de l'étrier, puis tirez sur la conduite de frein tout en maintenant le levier dans cette position. Serrez ensuite la vis. Si les freins sont trop serrés, vous pouvez inverser le processus et les desserrer légèrement.



Réglage du mécanisme de pliage

- 1** Débloquer le crochet de sécurité en le pivotant vers l'extérieur. Cela permettra d'ajuster le mécanisme avec précision.
- 2** Desserrez les deux vis sans tête à l'aide d'une clé Allen 3mm jusqu'à ce qu'elles dépassent de chaque côté du mécanisme de pliage.
- 3** Tirez le loquet de pliage vers le bas jusqu'à ce que vous puissiez voir la vis de réglage.
- 4** À l'aide d'une clé Allen de 6 mm, serrez ou desserrez la vis jusqu'au réglage approprié.
- 5** À l'aide d'une clé Allen de 3 mm, resserrez les deux vis sans tête.

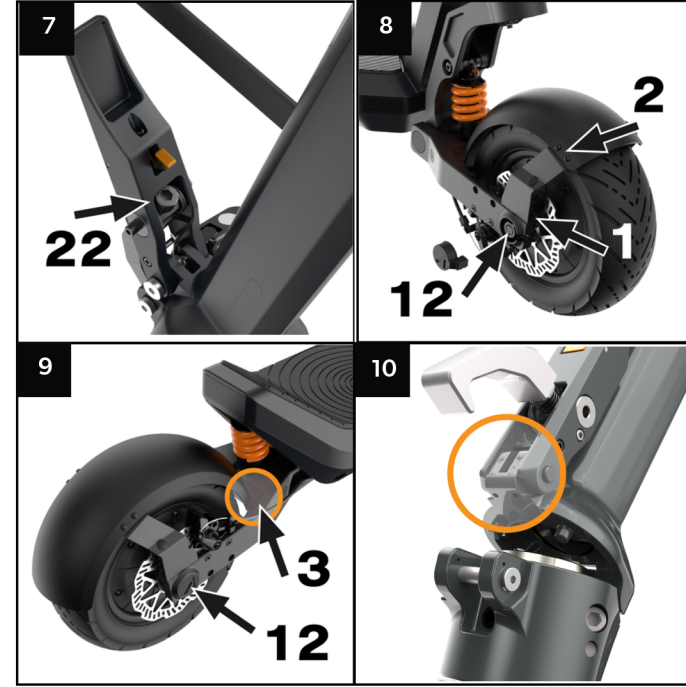
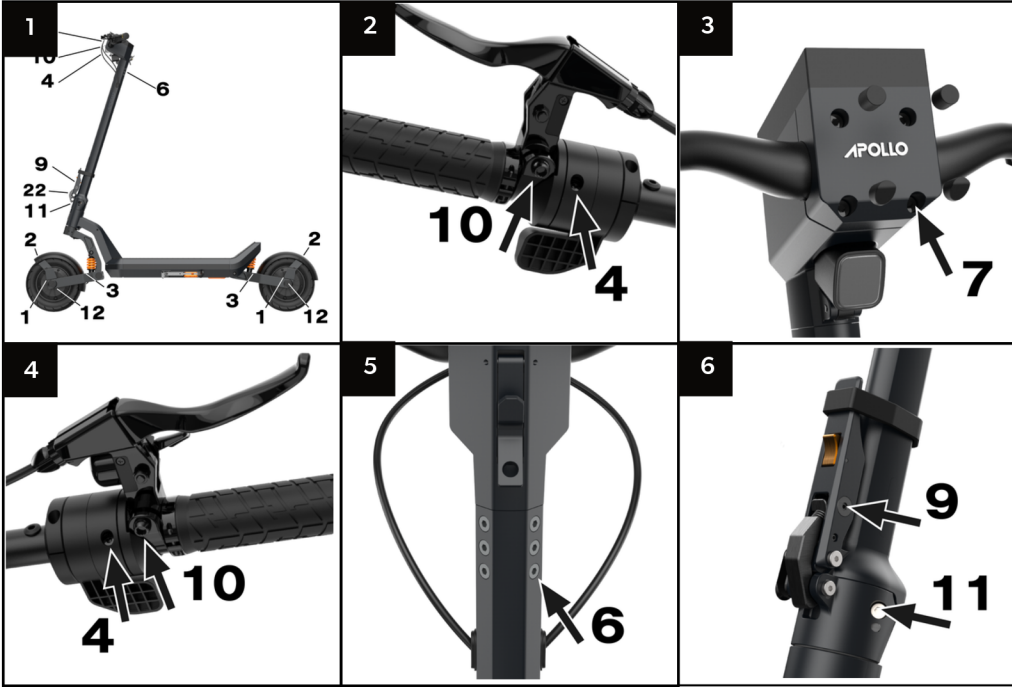


Serrage des vis

Utilisez la clé Allen fournie pour serrer les vis mises en évidence sur les graphiques suivants. Vous pouvez vous référer à la liste des vis sur la page suivante pour plus d'informations.

Le moteur de votre scooter crée des vibrations lorsque vous le conduisez, ce qui peut entraîner le desserrement des vis de votre scooter avec le temps.

Nous vous recommandons de vérifier vos vis tous les deux mois pour vous assurer qu'elles restent bien serrées. Vous pouvez utiliser un adhésif headlocker de force moyenne pour améliorer encore leur stabilité.



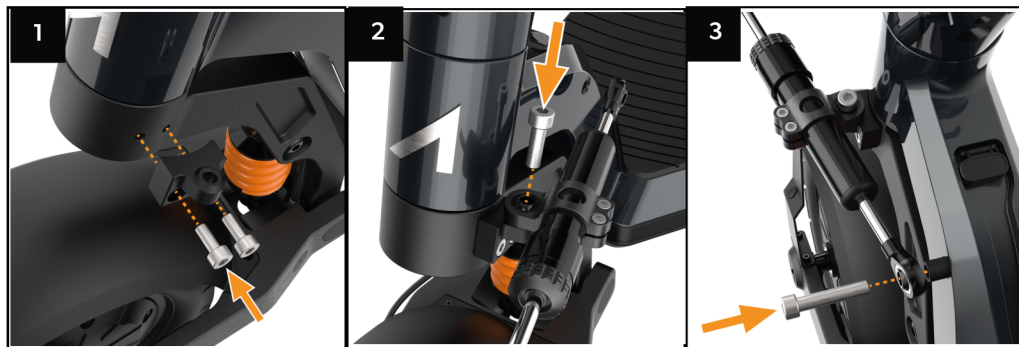
Pour garantir la longévité de votre mécanisme de verrouillage, il est essentiel de vérifier périodiquement pour détecter toute usure et tare éventuelle.

- Assurez-vous que toutes les vis et vis sans tête sont bien serrées et correctement ajustées.
- Assurez-vous qu'il n'y a pas d'usure observable à l'endroit indiqué sur les deux photos de droite.

Installation et réglage de l'amortisseur de direction

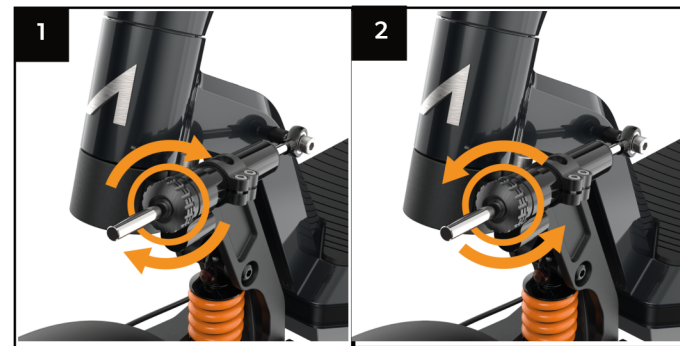
Installation

- 1 Montez le support en forme de L sur le côté gauche du bras oscillant en utilisant deux vis #14.
- 2 Placez l'amortisseur de direction avec la tige pointant vers l'avant du scooter et montez-le sur le support en L à l'aide de la vis #15.
- 3 Montez l'autre extrémité de l'amortisseur sur le côté du cou à l'aide de la vis #13 et de l'entretoise, et assurez-vous que toutes les vis sont bien serrées.



Réglage

Vous pouvez régler la résistance de la direction en tournant le bouton : dans le sens des aiguilles d'une montre pour une plus grande rigidité et dans le sens inverse des aiguilles d'une montre pour un réglage plus souple. Le réglage final de l'amortisseur dépend de l'état de la route ou du circuit et de vos préférences de conduite.



NOTE:
Si vous cherchez une meilleure stabilité, procurez-vous un amortisseur de direction sur notre site : <https://apolloscooters.ca/collections/accessories>. Cet accessoire améliorera votre confort de conduite en réduisant les vibrations et en maintenant une trajectoire plus stable

Tableau de maintenance

	5km	50 km	100km	300km	500km	1000km
Pneus	Vérifier la pression des pneus	X	X	X	X	X
Freins	S'assurer que les freins fonctionnent	X	S'assurer que les freins sont correctement réglés	Changer les plaquettes de frein	X	X
Lumière	S'assurer que toutes les lumières fonctionnent correctement	X	X	X	X	X
Suspension	X	S'assurer que les suspensions avant et arrière sont correctement serrées.	X	X	Graisser l'axe de suspension	inspecter la suspension La changer au moindre signe d'usure
Mécanisme de pliage	Vérifier l'absence de signes d'usure et que le mécanisme est bien serré (Voir page précédente)	Retendre le mécanisme de verrouillage	X	X	X	X
Batterie	X	X	X	X	Revoir l'état de la batterie sur l'app	X
Composants du guidon	S'assurer que tous les éléments du guidon sont correctement serrés.	X	X	X	X	X
Direction/roulements	S'assurer que le système de direction est serré	S'assurer que l'écrou de direction principal et l'écrou supérieur ne se desserrent pas (50er km)	X	X	S'assurer que l'écrou de direction principal et l'écrou supérieur ne se desserrent pas.	X
Écrous de roue	X	S'assurer que les écrous de roue sont correctement serrés	X	X	X	X
vis du guidon	X	S'assurer que le guidon est correctement fixée	X	X	X	X
Vis potence/direction	X	X	X	X	S'assurer que la pièce de base de la potence soit serrée - torque - au tube de direction	X
Vis garde-boue	X	X	X	X	S'assurer que les vis des garde-boues ne prennent pas du jeu	X



Le non-respect du tableau d'entretien peut entraîner des blessures graves ou la mort.

NOTE:

Pour obtenir des détails complets sur les tâches d'entretien et des guides étape par étape, veuillez consulter notre guide d'entretien de l'Apollo Phantom 2.0 situé dans le Centre d'entretien et d'assistance :



Liste de vis et boîte à outils



LISTE D'OUTILS

Clés Allen	1x
Manuel	1x
Extension de valve	1x
Pompe à air	1x
Clé à pipe	1x
Redresseur à disque	1x



COMPOSANTES	Dimensions	Couple	
Vis du support de garde-boue/vis de l'extrémité de manette	M4 x 8 x 0.7	2 NM	
Vis de côté de garde-boue/support de fil du moteur avant	M4 x 10 x 0.7	1 NM	
Vis du bas de garde-boue/couvert col-de-cygne	M4 x 10 x 0.7	1 NM	
Vis des manettes	M4 x 16	2 NM	
Vis de poignée de guidon	M4 x 10 x 0.7	2 NM	
Vis de potence à colonne	M5 x 16 x 0.8	5 NM	
Vis de guidon à potence	M6 x 25 x 1	5 NM	
Vis du Quad Lock	M5 x 25 x 0.8	1 NM	
Vis sans tête du mécanisme de verrouillage	M6 x 10 x 1	3 NM	
Vis de poignée de frein	M6 x 18 x 1	2 NM	
Vis de verrouillage de l'assemblage colonne à roue avant	M8 x 30 x 1.25	10 NM	
Écrous de roue	M14 x 1.5	25 NM	
Vis avant d'amortisseur	M8 x 25 x 1.25	5 NM	
Vis de l'assemblage d'amortisseur à la roue avant	M6 x 15 x 1	5 NM	
Vis du vérin à la colonne	M8 x 40 x 1.25	5 NM	
Vis de support de frein à fourche avant	M6 x 20 x 1	8 NM	
Vis de l'étrier de frein au support	M6 x 12 x 1	10 NM	
Vis de support de câble de frein	M4 x 8 x 0.7	6 NM	
Vis de plateforme	M4 x 8 x 0.7	6 NM	
Vis de lampe avant	M5 x 14 x 0.8	Hand	
Écrou de blocage pour la vis avant d'amortisseur	M5 x 14 x 0.8	Hand	

Liste et emplacement des vis

Vis numéro	Utilisation/emplacement	Dimensions	Mont.
1	Vis du support de garde-boue/vis de l'extrémité de manette	M4 x 8 x 0.7	1
2	Vis de côté de garde-boue/support de fil du moteur avant	M4 x 10 x 0.7	1
3	Vis du bas de garde-boue/couvert col-de-cygne	M4 x 10 x 0.7	1
4	Vis des manettes	M4 x 16	1
5	Vis de poignée de guidon	M4 x 10 x 0.7	1
6	Vis de potence à colonne	M5 x 16 x 0.8	6
7	Vis de guidon à potence	M6 x 25 x 1	1
8	Vis du Quad Lock	M5 x 25 x 0.8	1
9	Vis sans tête du mécanisme de verrouillage	M6 x 10 x 1	1
10	Vis de poignée de frein	M6 x 18 x 1	1
11	Vis de verrouillage de l'assemblage colonne à roue avant	M8 x 30 x 1.25	1
12	Écrous de roue	M14 x 1.5	1
13	Vis avant d'amortisseur	M8 x 25 x 1.25	1
14	Vis de l'assemblage d'amortisseur à la roue avant	M6 x 15 x 1	1
15	Vis du vérin à la colonne	M8 x 40 x 1.25	1
16	Vis de support de frein à fourche avant	M6 x 20 x 1	1
17	Vis de l'étrier de frein au support	M6 x 12 x 1	1
18	Vis de support de câble de frein	M4 x 8 x 0.7	1
19	Vis de plateforme	M4 x 8 x 0.7	2
20	Vis de lampe avant	M5 x 14 x 0.8	1
21	Écrou de blocage pour la vis avant d'amortisseur	M5 x 14 x 0.8	1



Liste et emplacement des vis

Vis numéro	Utilisation/emplacement	Dimensions	Mont.
1	Vis du support de garde-boue/vis de l'extrémité de manette	M4 x 8 x 0.7	1
2	Vis de côté de garde-boue/support de fil du moteur avant	M4 x 10 x 0.7	1
3	Vis du bas de garde-boue/couvert col-de-cygne	M4 x 10 x 0.7	1
4	Vis des manettes	M4 x 16	1
5	Vis de poignée de guidon	M4 x 10 x 0.7	1
6	Vis de potence à colonne	M5 x 16 x 0.8	6
7	Vis de guidon à potence	M6 x 25 x 1	1
8	Vis du Quad Lock	M5 x 25 x 0.8	1
9	Vis sans tête du mécanisme de verrouillage	M6 x 10 x 1	1
10	Vis de poignée de frein	M6 x 18 x 1	1
11	Vis de verrouillage de l'assemblage colonne à roue avant	M8 x 30 x 1.25	1
12	Écrous de roue	M14 x 1.5	1
13	Vis avant d'amortisseur	M8 x 25 x 1.25	1
14	Vis de l'assemblage d'amortisseur à la roue avant	M6 x 15 x 1	1
15	Vis du vérin à la colonne	M8 x 40 x 1.25	1
16	Vis de support de frein à fourche avant	M6 x 20 x 1	1
17	Vis de l'étrier de frein au support	M6 x 12 x 1	1
18	Vis de support de câble de frein	M4 x 8 x 0.7	1
19	Vis de plateforme	M4 x 8 x 0.7	2
20	Vis de lampe avant	M5 x 14 x 0.8	1
21	Écrou de blocage pour la vis avant d'amortisseur	M8 x 6 x 1.25	1



Liste et emplacement des vis

Vis numéro	Utilisation/emplacement	Dimensions	Mont.
1	Vis du support de garde-boue/vis de l'extrémité de manette	M4 x 8 x 0.7	1
2	Vis de côté de garde-boue/support de fil du moteur avant	M4 x 10 x 0.7	1
3	Vis du bas de garde-boue/couvert col-de-cygne	M4 x 10 x 0.7	1
4	Vis des manettes	M4 x 16	1
5	Vis de poignée de guidon	M4 x 10 x 0.7	1
6	Vis de potence à colonne	M5 x 16 x 0.8	6
7	Vis de guidon à potence	M6 x 25 x 1	1
8	Vis du Quad Lock	M5 x 25 x 0.8	1
9	Vis sans tête du mécanisme de verrouillage	M6 x 10 x 1	1
10	Vis de poignée de frein	M6 x 18 x 1	1
11	Vis de verrouillage de l'assemblage colonne à roue avant	M8 x 30 x 1.25	1
12	Écrous de roue	M14 x 1.5	1
13	Vis avant d'amortisseur	M8 x 25 x 1.25	1
14	Vis de l'assemblage d'amortisseur à la roue avant	M6 x 15 x 1	1
15	Vis du vérin à la colonne	M8 x 40 x 1.25	1
16	Vis de support de frein à fourche avant	M6 x 20 x 1	1
17	Vis de l'étrier de frein au support	M6 x 12 x 1	1
18	Vis de support de câble de frein	M4 x 8 x 0.7	1
19	Vis de plateforme	M4 x 8 x 0.7	2
20	Vis de lampe avant	M5 x 14 x 0.8	1
21	Écrou de blocage pour la vis avant d'amortisseur	M8 x 6 x 1.25	1



DÉPANNAGE

Affichage des défaillances / Codes d'erreur

Si un dysfonctionnement se produit lors de l'utilisation de votre Apollo , l'un des codes d'affichage de panne suivants apparaîtra à l'écran :

E1 F1

ERREUR DE FREINAGE

F1 est signalé lorsque l'autotest de mise sous tension échoue.
E1 est signalé lorsque l'erreur se produit pendant le fonctionnement.

Code d'erreur:

Si E1/F1 est signalé, la poignée de frein ou sa connexion peut être défectueuse.

Solution 1 :

Vérifier si le fil de la poignée de frein est correctement connecté.

Solution 2 :

Remplacer la poignée de frein pour tester, si le code d'erreur s'affiche, c'est la poignée qui est en cause.

Solution 3 :

Remplacer l'assemblage du guidon pour le tester, si le code d'erreur disparaît, c'est le module de l'afficheur qui est en cause.

E2 F2

ERREUR DE L'ACCÉLÉRATEUR

F2 est signalé lorsque l'autotest de mise sous tension échoue.
E2 est signalé lorsque l'erreur se produit en cours de fonctionnement.

Code d'erreur :

Si E2/F2 est signalé, il se peut que l'accélérateur ou sa connexion soit défectueux.

Solution 1 :

Vérifier que le fil de l'accélérateur est correctement connecté et que l'accélérateur n'est pas hors position.

Solution 2 :

Remplacer l'accélérateur pour tester, si le code d'erreur disparaît, l'accélérateur était en cause.

Solution 3 :

Remplacer l'assemblage du guidon pour tester, si le code d'erreur disparaît, c'est le module de l'afficheur qui est en cause.

VEUILLEZ NOTER:

Pour une bibliothèque complète de vidéos de dépannage, visitez notre Centre de Service et de Support

E3

ERREUR DE COMMUNICATION

E3 affichera l'erreur dans le fonctionnement du système d'alimentation.

Solution 1 :

Vérifiez que la connexion entre le guidon et le câble de communication du système est bonne.

Solution 2 :

Remplacer le guidon pour tester : Remplacer le guidon pour le tester. Si le code d'erreur disparaît, le guidon n'est pas en cause.

Solution 3 :

Remplacer le contrôleur pour le tester. Si le code d'erreur disparaît, c'est le contrôleur qui est en cause.

E4

PROTECTION CONTRE LES SURCHARGES

Si l'erreur E4 est signalée en permanence, on considère qu'il s'agit d'un défaut matériel du contrôleur.

Solution 1 :

Vérifier si le fil de la poignée de frein est correctement connecté.

Solution 2 :

Remplacer la poignée de frein pour tester, si le code d'erreur disparaît, c'est la poignée qui est en cause.

Solution 3 :

Remplacer l'assemblage du guidon pour le tester, si le code d'erreur disparaît, c'est le module de l'afficheur qui est en cause.

E7

ERREUR DE CAPTEUR MOTEUR

Si E7 est signalé, cela signifie qu'un capteur de moteur défectueux est présent.

Solution :

Remplacer le moteur pour le tester. Si l'erreur disparaît, c'est que le moteur était en cause.

E5

PROTECTION CONTRE LES SOUS-TENSIONS

Si E5 est signalé en permanence, vérifiez si la tension de la batterie est trop faible (inférieure à 30 volts).

Solution :

Remplacer la batterie par une batterie neuve pour la tester, si l'erreur disparaît, c'est la batterie qui était en cause.

E8

PERTE DE PHASE DU MOTEUR

Si E8 est signalé, cela signifie qu'un ou plusieurs connecteurs de phase ne sont pas correctement connectés ou ne fonctionnent pas correctement.

Solution 1 :

Vérifier si les fils de phase sont correctement connectés.

Solution 2 :

Remplacer le contrôleur pour tester, si l'erreur disparaît, c'est le contrôleur qui est en cause.

Solution 3 :

Remplacez le moteur pour le tester : Remplacer le moteur pour le tester, si l'erreur disparaît, c'est le moteur qui est en cause.

E6

PROTECTION CONTRE LES SURTENSIONS

Si E6 est signalé, la tension de la batterie est trop élevée.

Solution :

La tension de la batterie est trop élevée, éviter les freinages brusques et les actions précipitées. La situation reviendra à la normale lorsqu'une partie de l'énergie aura été utilisée.

E9

ERREUR CONTROLEUR

Si E9 est signalé en permanence, cela signifie que le contrôleur est défectueux.

Solution :

Remplacer le contrôleur pour le tester, si l'erreur disparaît, c'est le contrôleur qui est en cause.

GARANTIE ET SERVICES

Structure de la garantie

Tous les scooters Apollo sont couverts par une garantie limitée de 12 mois. Pour plus d'informations sur la garantie (également disponible dans d'autres langues), scanner le code QR ci-dessous.



Apollo Plus

Apollo Plus est un ensemble de services qui soutiendront nos clients à chaque étape de la possession d'une trottinette. Apollo Plus fournit des services de sérénité pour protéger vos commandes pendant leur expédition, garantir que votre trottinette fonctionnent dans les meilleures conditions, et vous permettre de reprendre la route le plus rapidement possible en cas de problème.

DÉCLARATION DE CONFORMITÉ UL

Plage de température de fonctionnement : -10°C ~ 40°C

Plage de température de Recharge : 0°C ~ 25°C

Poids minimum et maximum du pilote : 50~100 kg

Vitesse maximum : 20 km/h

Nous espérons que vous apprécierez votre trottinette Apollo autant que nous avons aimé la développer !

Si vous souhaitez rester en contact avec nous et découvrir nos futures innovations, vous pouvez nous suivre :



@APOLLO SCOOTERS



@RIDEAPOLLO



APOLLO SCOOTERS



@RIDEAPOLLO

DÉCLARATION DE CONFORMITÉ FCC

DÉCLARATION DE CONFORMITÉ FCC

Cet appareil est conforme à la partie 15 des règles de la FCC.

Son utilisation est soumise aux deux conditions suivantes :

(1) Cet appareil ne doit pas causer d'interférences nuisibles, et

(2) Cet appareil doit accepter toute interférence reçue, y compris les interférences susceptibles de provoquer un fonctionnement indésirable.

Note :

Cet équipement a été testé et déclaré conforme aux limites imposées aux appareils numériques de classe B, conformément à la partie 15 des règles de la FCC. Ces limites sont conçues pour fournir une protection raisonnable contre les interférences nuisibles dans une installation résidentielle. Cet équipement génère, utilise et peut émettre de l'énergie radioélectrique et, s'il n'est pas installé et utilisé conformément aux instructions, peut causer des interférences nuisibles aux communications radio.

Cependant, il n'y a aucune garantie que des interférences ne se produiront pas dans une installation particulière. Si cet appareil provoque des interférences nuisibles à la réception de la radio ou de la télévision, ce qui peut être déterminé en éteignant et en allumant l'équipement, l'utilisateur est encouragé à essayer de corriger les interférences en prenant une ou plusieurs des mesures suivantes :

Réorienter ou déplacer l'antenne de réception.

Augmenter la distance entre l'appareil et le récepteur.

Connecter l'équipement à une prise de courant sur un circuit différent de celui auquel le récepteur est connecté.

Consulter le revendeur ou un technicien radio/TV expérimenté pour obtenir de l'aide.

Avertissement : Les changements ou modifications de cet appareil non expressément approuvés par la partie responsable de la conformité peuvent annuler le privilège de l'utilisateur d'utiliser l'appareil.

DÉCLARATION D'EXPOSITION AUX RADIATIONS DE LA FCC

L'appareil a été évalué pour répondre aux exigences générales en matière d'exposition aux radiofréquences.

L'appareil peut être utilisé dans des conditions d'exposition mobile (min20cm).

IC STATEMENT

Cet appareil est conforme à la (aux) norme(s) RSS exemptes de licence de l'Industrie Canada. Son fonctionnement est soumis aux deux conditions suivantes :

(1) cet appareil ne doit pas causer d'interférences ;

(2) cet appareil doit accepter toute interférence, y compris celle pouvant causer un dysfonctionnement indésirable de l'appareil.

Avis d'Industrie Canada

Le présent appareil est conforme aux CNR d'industrie Canada applicables aux appareils radio exempts de licence L'exploitation est autorisée aux deux conditions suivantes:

1)l'appareil ne doit pas produire de brouillage; et

2)l'utilisateur de l'appareil doit accepter brouillage radioélectrique subi même si le brouillage est susceptible d'encombrer le fonctionnement. mauvais fonctionnement de l'appareil.

CAN ICES-3 (B)/ CAN NMB-3 (B)

RADIATION EXPOSURE STATEMENT

This equipment complies with IC radiation exposure limits set forth for an uncontrolled environment. This equipment should be installed and operated with minimum distance 20cm between the radiator & your body.

Déclaration d'exposition aux radiations:

Cet équipement est conforme aux limites d'exposition aux rayonnements IC établies pour un environnement non contrôlé. Cet équipement doit être installé et utilisé avec un minimum de 20 cm de distance entre la source de rayonnement et votre corps.

APOLLO

MANUAL DE USUARIO

USA

apolloscooters.co

CANADA

apolloscooters.ca

PHANTOM_{2.0}

INTRODUCCIÓN

Hola Mundo

Gracias por comprar la Apollo Phantom 2.0. La industria de scooters eléctricos aún es joven y requiere usuarios con mente futurística como tú para que continúe desarrollándose. Esperamos que disfrutes mucho tu nueva scooter tanto cómo nosotros disfrutamos crearla.

Por favor toma en cuenta que el modelo representado en este manual sirve como representación genérica. El modelo que tu recibiste puede tener ligeras diferencias en diseño o funcionalidad. Para obtener el manual de usuario más actualizado, por favor visita nuestro Centro de Servicio y Ayuda.

¿Cómo obtener ayuda?

Estamos aquí para ayudar sin importar el problema que estés enfrentando. Visita nuestra Página de Ayuda para acceder a nuestro Centro de Servicio y Ayuda, así como para ponerte en contacto con alguien de nuestro equipo.



⚠ ADVERTENCIA

El montaje, mantenimiento o uso incorrecto de su scooter Apollo puede causar fallos en los componentes o en el rendimiento, pérdida de control, lesiones graves o la muerte. Incluso si usted es un piloto de scooter experimentado, debe leer y entender todo el manual y cualquier documentación proporcionada para los subcomponentes o accesorios antes de utilizarla. En el caso de un mal funcionamiento o daños en cualquiera de los componentes durante la instalación o el uso, por favor, interrumpa la instalación o el uso y póngase en contacto con nuestro equipo de soporte. Si usted no está seguro de tener la experiencia, habilidades y/o herramientas para realizar correctamente todos los pasos de montaje, consulte a nuestro equipo de soporte o una tienda local de scooter eléctricos.

Por su seguridad y la de los demás, lea y asegúrese de comprender todas las advertencias e instrucciones de este Manual. EL INCUMPLIMIENTO DE ESTAS ADVERTENCIAS E INSTRUCCIONES PUEDE PROVOCAR LESIONES GRAVES O LA MUERTE.

Contenido

Desempacar	5
Ensamblaje	6
Operación	10
Configuración	16
Información de la batería	17
Seguridad en general	18
Mantenimiento	20
Tabla de mantenimiento.....	27
Lista de tornillos	28
Resolución de problemas.....	32
Garantía	34
Declaración de la FCC	36



DESEMPACAR

⚠️ ADVERTENCIA

El montaje, mantenimiento o uso incorrecto de su scooter Apollo puede causar fallos en los componentes o en el rendimiento, pérdida de control, lesiones graves o la muerte. En el caso de un mal funcionamiento o daños en cualquiera de los componentes durante la instalación o el uso, por favor, interrumpa la instalación o el uso y póngase en contacto con nuestro equipo de soporte. Si usted no está seguro de tener la experiencia, habilidades y/o herramientas para realizar correctamente todos los pasos de montaje, consulte a nuestro equipo de soporte o una tienda local de scooter eléctricos.

Introducción

Configurar correctamente su scooter es el paso más importante para su seguridad.

Tenga en cuenta que este proceso también está disponible en formato de vídeo a través de nuestro Centro de Servicio y Soporte.

Recomendamos tener preparados los siguientes elementos antes de iniciar el proceso de montaje:

- Cúter o cuchillo
- Taburete o banco
- Bomba de aire
- Alguien que le ayude

Desempaca tu scooter

Abra la caja con el cúter y pliegue la parte superior. En el interior debería ver espuma de poliestireno protectora junto con el siguiente contenido:

- Scooter eléctrico Apollo Phantom 2.0
- Manual de Usuario
- Cargador y cable
- Llave hexagonal
- Kit de tornillos

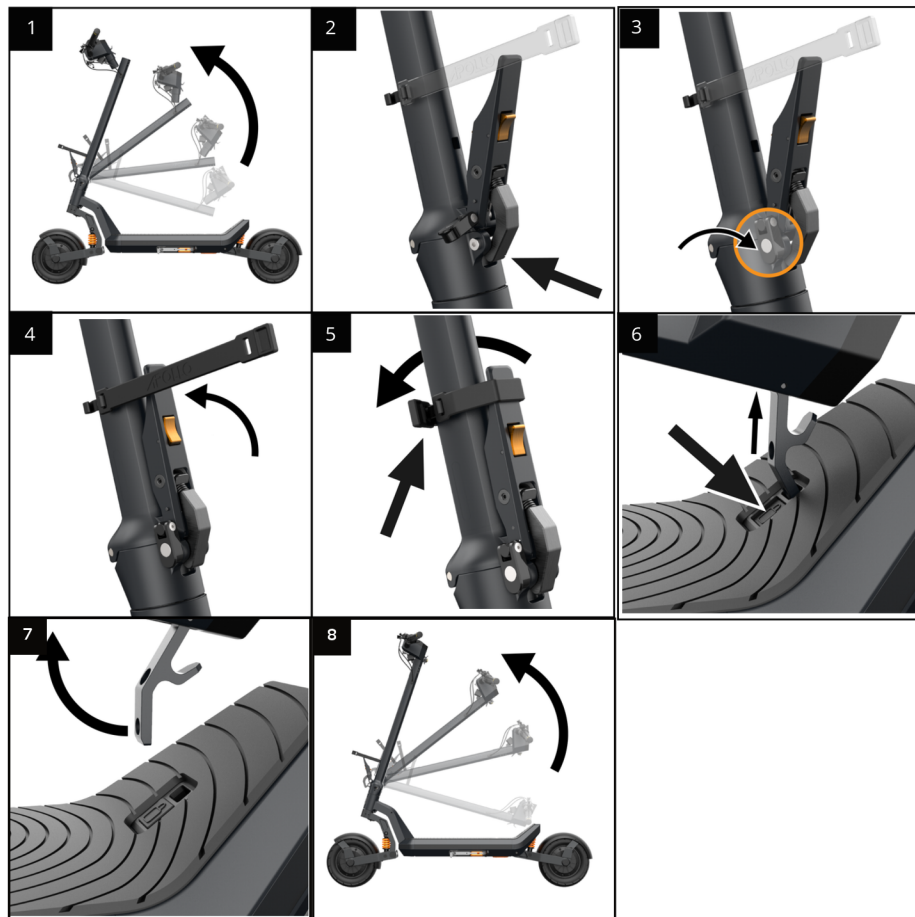
Si falta alguno de estos artículos, póngase en contacto con nosotros inmediatamente.

Con la ayuda de alguien, saque el scooter de la caja y colóquelo sobre una superficie plana. Recomendamos utilizar un banco ya que las las ruedas deben poder girar libremente. Retire con cuidado el material protector del scooter eléctrico. Le pedimos que conserve tanto la espuma de poliestireno como la caja en caso de que necesite devolvernos su scooter. De lo contrario recicle los materiales siempre que sea posible.

Preparación para ensamblaje

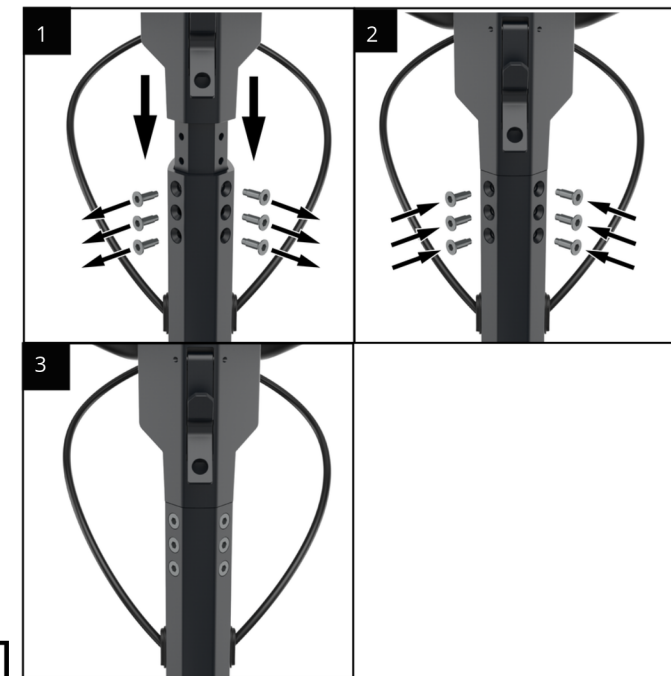
Desplegar

- 1 El primer paso es desplegar tu Apollo Phantom 2.0.
- 2 Despliegue la potencia tirando de ella hasta que se encuentre en posición vertical. Asegúrese que la potencia se encuentre completamente vertical y el gancho esté alineado como lo muestra la flecha.
- 3 Localice el pestillo de seguridad y bájelo para bloquearlo en la muesca.
- 4 Ahora localice el pestillo abatible y levántelo para bloquear el vástago en su sitio. Es posible que necesite algo de fuerza para que el pestillo se bloquee. Asegúrese de que el botón de seguridad del mecanismo de plegado esté encajado en el vástago.
- 5 Después, localice la correa y pásela alrededor del pestillo antes de fijarla como se muestra en la figura.
- 6 Si el vástago está detenido en la plataforma, pulse el botón de liberación indicado por la flecha grande.
- 7 Doble la lengüeta hacia el vástago.
- 8 Tire del vástago hacia arriba y siga los pasos 2 a 5 para fijar el vástago en su sitio.



Fijar el manillar

- 1 Conecte el cable de conexión macho que sale del manillar al cable hembra que sale de la potencia delantera. Asegúrese de que las clavijas estén alineadas.
- 2 Asegúrese de que el puerto macho y el puerto hembra estén alineados correctamente. Inserte el manillar en la parte superior de la potencia delantera y apriételo en su sitio con los 6 tornillos hexagonales suministrados.
- 3 Precaución: Tenga cuidado de no dañar el cable cuando conecte el manillar a la potencia delantera



⚠ ADVERTENCIA

Siga siempre las instrucciones cuando despliegue su scooter y antes de cada uso. Si no se asegura de que el botón de seguridad del mecanismo de plegado está enganchado en la potencia del scooter y de que la potencia está completamente asegurada antes de su uso, puede provocar que la potencia se suelte durante su uso, lo que puede provocar la pérdida de control, lesiones graves e incluso la muerte. No utilice el scooter si observa cualquier anomalía en la potencia, el botón de seguridad o el mecanismo de bloqueo.

Realice una prueba

1 Localice el botón de encendido en la parte derecha del manillar y púselo durante 3 segundos para encender el scooter. La pantalla debería encenderse. Mantenga el scooter elevado en el taburete o banco, ya que la prueba implicará girar ambas ruedas. El scooter debe estar en modo "Kick Start". Para empezar a probar los motores, haga girar la rueda manualmente y luego presione el acelerador. Las ruedas deberían comenzar a girar. Si escucha que cualquiera de los motores emite un ruido a bajas velocidades, es normal. El motor se está comunicando con el

controlador e identificando su posición, así como la dirección en la que debe rodar. Si después de realizar esta prueba las ruedas giran normalmente, puede pasar al paso 2.

⚠️ ADVERTENCIA

Si nota que alguno de los motores no está funcionando **NO INTENTE OPERAR EL SCOOTER**. Contáctenos inmediatamente.

2 Empieza probando los frenos. Presione el acelerador encontrado del lado derecho del manillar, las ruedas deberían comenzar a girar. Continúe acelerando durante 5 segundos, luego suelte el acelerador y presione ambos frenos al mismo mismo tiempo. Las ruedas deben detenerse inmediatamente.

3 Pruebe el cambio de velocidad pulsando rápidamente dos veces el botón de encendido. Con dos clics cortos se pasará por los niveles de velocidad.

- Modo Eco
- Modo Confort
- Modo Sport

Para entrar en modo Ludo pulse el botón de encendido rápidamente tres veces.

4 Ahora, para encender las luces, presione el botón de modo rápidamente una vez. Confirma que todas las luces se encienden: la luz delantera y una luz trasera.

5 Para activar la función Buscar de Apple, colóquela en "visible". Mantén presionado el botón M durante 2 segundos.

⚠️ ADVERTENCIA

Si no todas las luces encienden, **NO INTENTE OPREAR EL SCOOTER**. Contáctenos inmediatamente.

6 Pruebe la señal izquierda y la derecha. Comience por probar la señal derecha presionando el botón con una flecha hacia la derecha del lado derecho del manillar. Las señales derechas deberían encenderse. Para apagarlas, vuelva a hacer clic en el mismo botón.

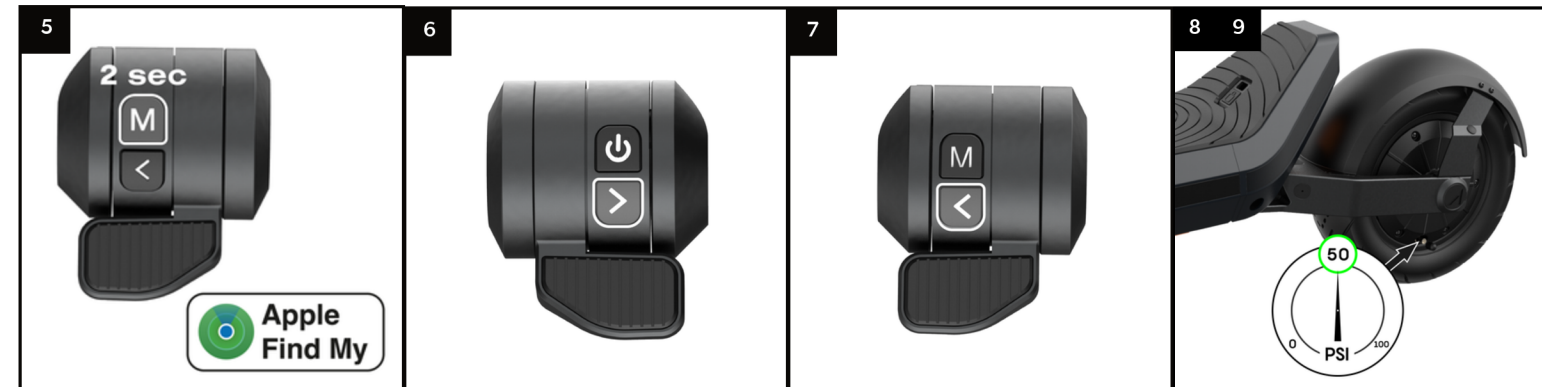
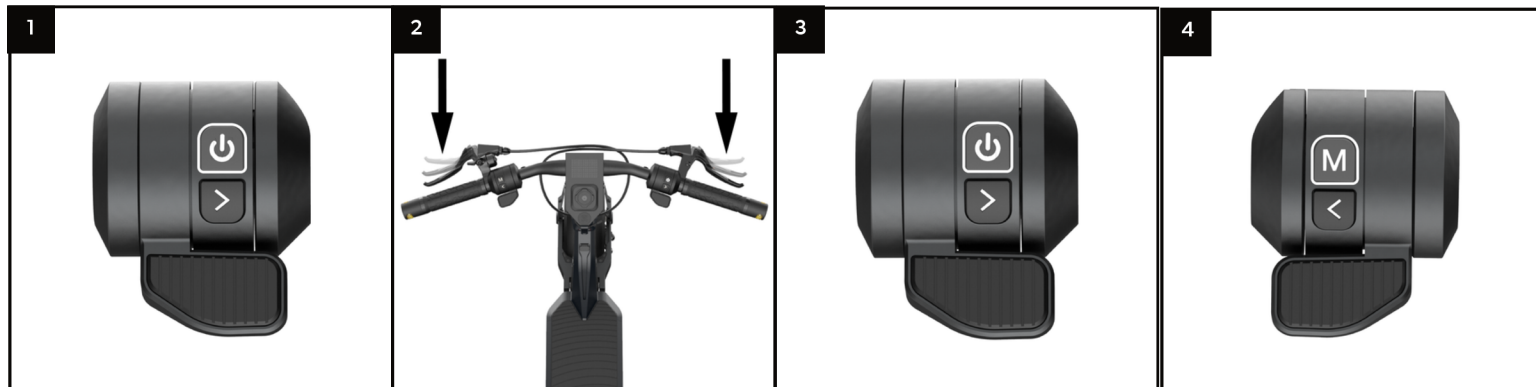
7 Pruebe las señales izquierdas. Presione el botón con una flecha del lado derecho de su manillar. Las luces deberían encenderse. Para apagarlas, vuelva a hacer clic en el mismo botón.

8 Ahora, tome la bomba de aire y localice la válvula en la llanta delantera. Remueva la tapa de seguridad y conecte la bomba. Encienda la bomba y lea la medida PSI. La presión ideal para la llanta del Phantom 2.0 es 50PSI.

9 Infle o desinfe la llanta como sea necesario hasta que la presión sea de 50PSI. Repita el mismo paso con la llanta trasera.

¡Felicidades! Lograste ensamblar tu Apollo Phantom 2.0 nueva.

Si tiene dificultades con la configuración en algún paso, consulte nuestro Centro de Servicio y Apoyo para mayor información. También puede ponerse en contacto con nuestro equipo de asistencia a través de nuestra Página de Ayuda.



OPERACIÓN

Activación de NFC

Esta sección le mostrará cómo añadir o quitar una tarjeta NFC a su scooter, siguiendo estos pasos:

- 1 Para agregar una tarjeta NFC, asegúrese de que el scooter esté desbloqueado, pulse 6 veces el botón de encendido y a continuación escanee la tarjeta.
- 2 Para desemparejar la tarjeta NFC, pulse 7 veces el botón de encendido y a continuación escanee la tarjeta.

AVISO

Se pueden registrar un máximo de dos tarjetas en un scooter. Si desea cambiar una tarjeta, debe quitar una para poder añadir otra.

Carga de batería

Esta sección se centra en cómo cargar su scooter correctamente. Para obtener información sobre la salud de la batería y las mejores prácticas, por favor revise la sección Información de la batería.

El pack de batería viene con un sistema de gestión de batería integrado. Esto incluye protección de sobrecarga entre otras características, permitiendo que su scooter permanezca enchufado incluso después de estar completamente cargado.

Por favor, tenga en cuenta que esto se aplica a periodos cortos de sobrecarga, como cuando el scooter está enchufado durante la noche. Por favor, no deje el scooter enchufado y cargando durante largos periodos de tiempo, ya que puede dañar la batería o provocar un incendio.

AVISO

Necesitará apagar su scooter para poder cargar la batería.

⚠ ADVERTENCIA

Advertencia, riesgo de incendio y descarga eléctrica.

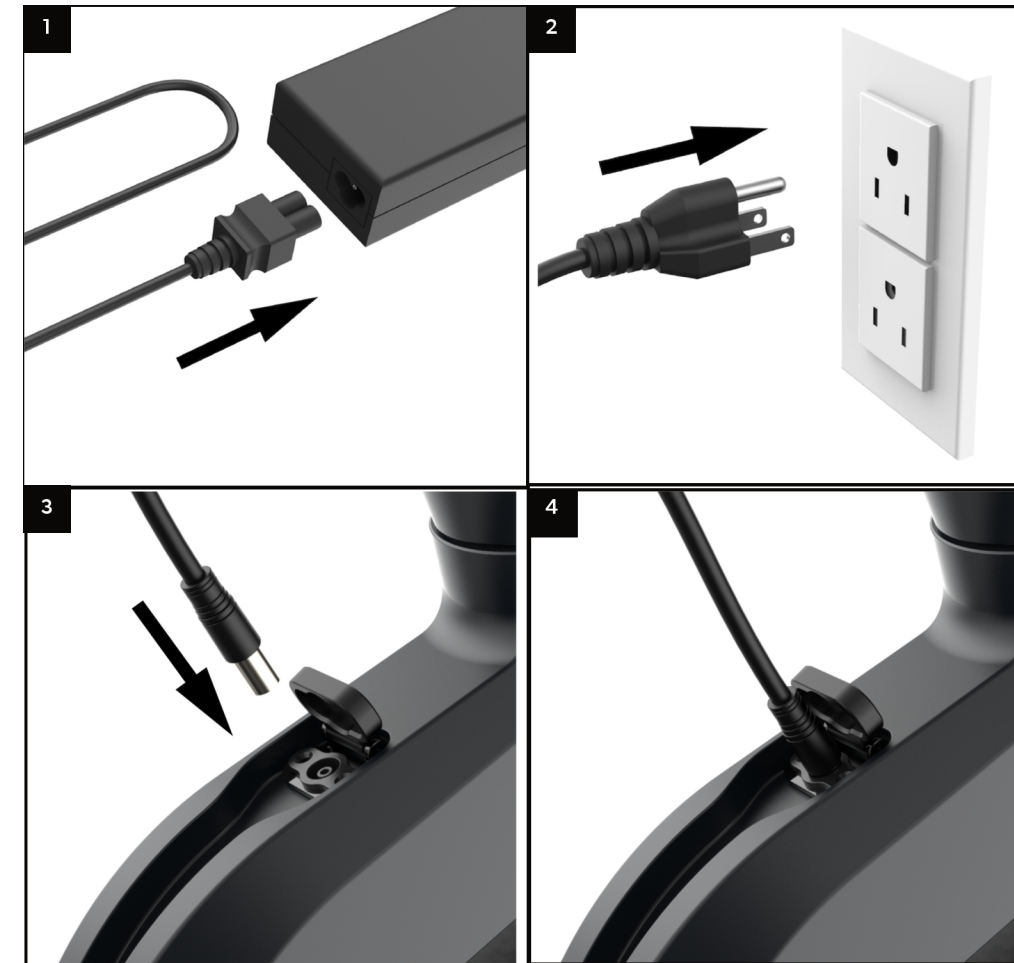
- No hay piezas reparables por el usuario.
- La exposición prolongada a los rayos UV, la lluvia y la intemperie puede dañar los materiales de la carcasa.
- Guárdelo en un lugar cerrado cuando no lo utilice.

- 1 Primero, asegúrese que las dos partes del cargador estén bien conectadas. El enchufe a la pared debería estar conectado a la caja del cargador. La conexión entre ambas debería sentirse firme, sin holguras.
- 2 Conecte el enchufe del otro extremo del cargador a una toma de corriente de 120 voltios.
- 3 A continuación, localice la tapa del puerto de carga de su scooter y ábrala para encontrar el puerto de carga. Localice el conector redondo en un extremo del cargador, este es el extremo que debe insertar en el puerto de carga.

- 4 Si la batería está llena al 100%, el indicador del cargador va a encenderse de color verde. Si la batería no está completamente cargada, el indicador se prenderá en rojo.

⚠ ADVERTENCIA

Utilice siempre un cargador diseñado para su modelo de scooter. Si no utiliza un cargador compatible o no carga con el voltaje correcto, puede dañar el scooter y su batería, provocando un incendio, una descarga eléctrica, daños materiales, lesiones graves o la muerte.



Acelerador

El Apollo Phantom 2.0 viene equipado con dos manuales de pulgar, uno a cada lado del manillar para facilitar su uso. Del lado izquierdo se encuentra el freno regenerativo, mientras que el derecho sirve para acelerar.

El acelerador está diseñado para ser progresivo, lo que significa que una presión suave sobre el acelerador ejercerá una aceleración proporcionalmente pequeña. Una mayor presión sobre el acelerador ejercerá una mayor aceleración.

⚠️ ADVERTENCIA

Nunca presione el acelerador mientras camina con su scooter. Presionar el acelerador mientras camina puede ocasionar pérdida de control, graves heridas o la muerte para uno mismo u otros.

Como frenar

El Apollo Phantom 2.0 tiene dos tipos de frenos. El freno regenerativo que permite capturar energía al frenar y recargar tu batería, y frenos dobles de disco.

El freno regenerativo te permitirá detenerte más suave y eficiente. Para usarlo, pulsa el manual de pulgar izquierdo. Para controlar la suavidad o brusquedad con la que tu scooter frenará, inicia sesión en tu Apollo App y ajusta las preferencias de frenado. El freno regenerativo está diseñado para ser progresivo - esto significa que una suave presión ejercerá proporcionalmente poca potencia de frenado. La máxima presión sobre el acelerador activará la salida máxima y, por lo tanto, la potencia de frenado máxima. Para más información sobre la aplicación Apollo, consulta la sección Aplicación de este manual.

Frenar por primera vez:

Antes de dar una vuelta con tu scooter, te recomendamos que ajustes el freno regenerativo en tu Apollo App. Consulta la sección App de este manual para obtener más información.

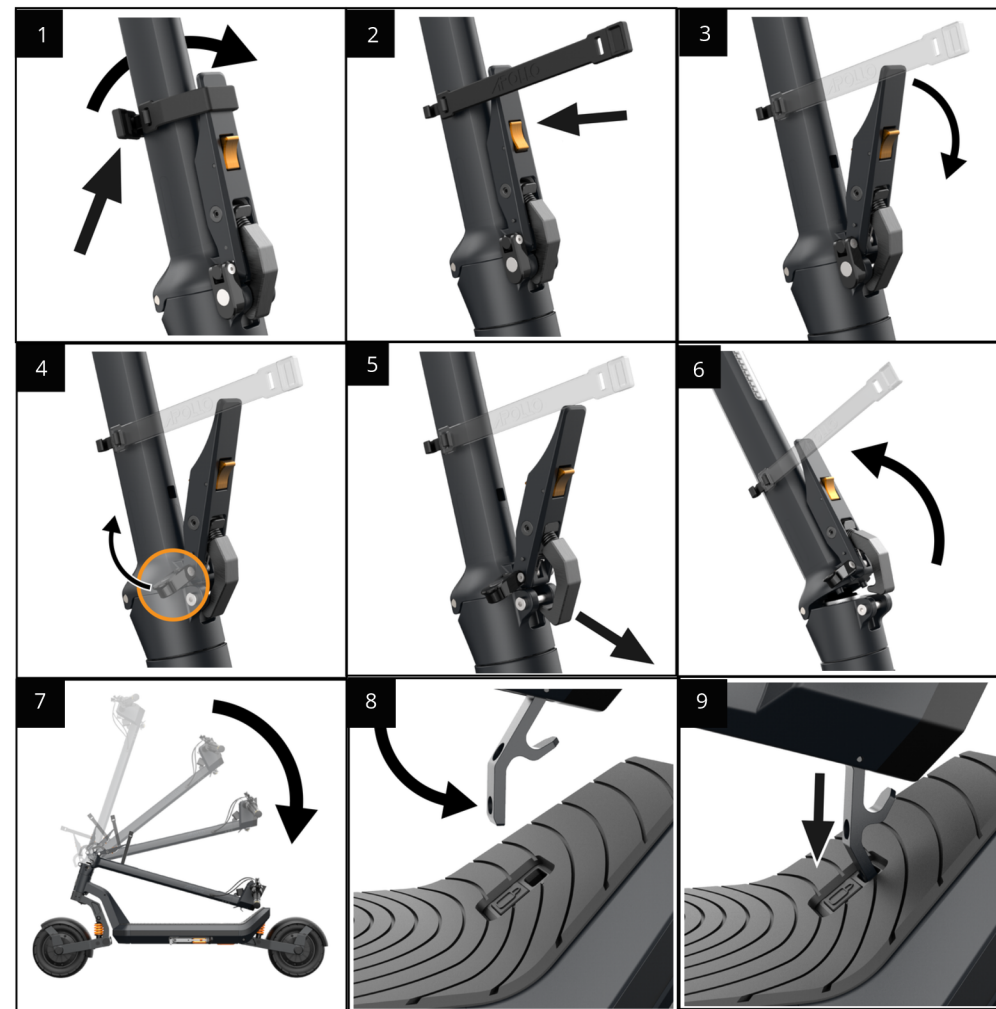
AVISO

Le recomendamos que no utilice el freno regenerativo cuando la batería esté cargada al 100%. Esto puede provocar una sobrecarga de la batería y dañar el controlador o la batería. Sólo debe empezar a utilizar el freno regenerativo cuando la batería esté a un nivel de carga del 90% o menos.

Además, ten en cuenta que utilizar el freno regenerativo durante largos periodos de tiempo (por ejemplo una larga cuesta abajo) puede generar mucho calor y tener un impacto negativo en el controlador. Recomendamos utilizar el freno regenerativo sólo durante cortos periodos de tiempo.

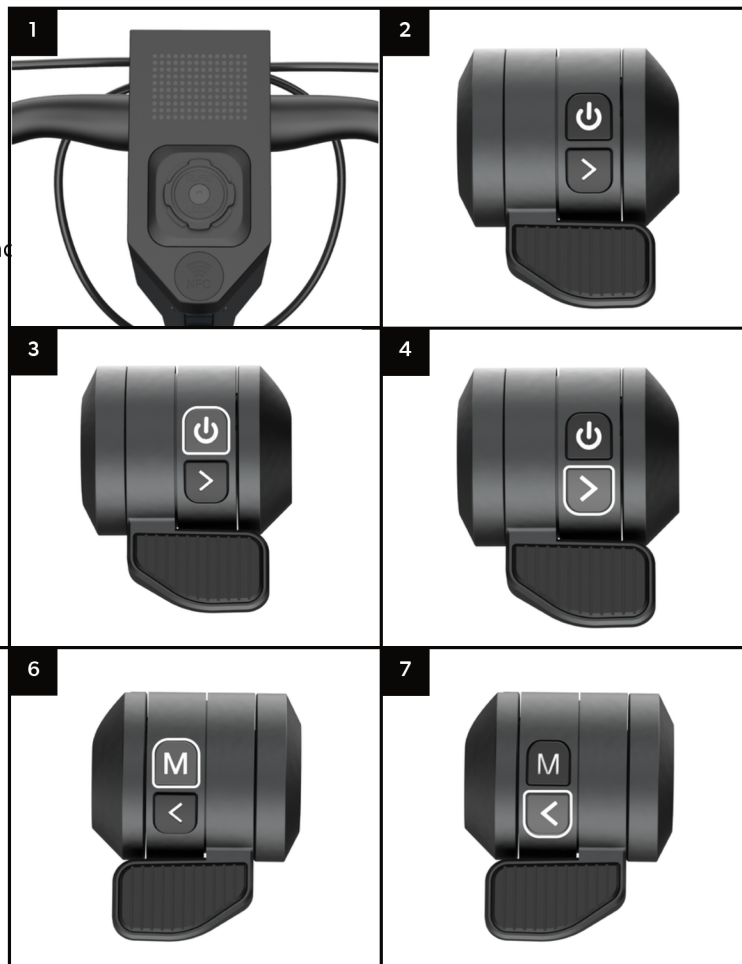
Plegado

- 1 Para plegar, empiece por localizar y soltar la correa que rodea el pestillo de plegado.
- 2 Ahora, localice el botón de seguridad y púlselo para desbloquear el pestillo de plegado.
- 3 Sujete el pestillo de plegado y tire hacia abajo para plegar la potencia.
- 4 Localice el pestillo de seguridad y gírelo hacia afuera. Asegúrese de mantener una mano en la potencia en todo momento, ya que bajará instantáneamente al ser liberado el pestillo de plegado.
- 5 Tire hacia abajo hasta que sienta que el pestillo de plegado está completamente abierto.
- 6 Pliegue el vástago hacia la plataforma.
- 7 Asegúrese de que está completamente plegada antes de proceder al siguiente paso.
- 8 Despliegue la lengüeta situada en el manillar.
- 9 Suavemente baje la potencia hasta que la lengüeta pueda introducirse en la plataforma.



Funciones del manillar

- 1 Pantalla
- 2 Acelerador (lado derecho del manillar)
- 3 Acelerador - Botón de encendido - Luz on/off - Cambio de velocidad
- 4 Acelerador - Señal de giro a la derecha
- 5 Freno eléctrico (lado izquierdo del manillar)
- 6 Freno eléctrico - Botón Modo
- 7 Freno eléctrico - Señal de giro a la izquierda



Pantalla

La pantalla, localizada en el manillar, muestra la velocidad, carga de batería y cualquier falla mecánica.

El scooter se controla mediante tres botones:

BOTÓN DE ENCENDIDO

1. Un click largo — On / Off
2. Velocímetro
3. Doble clic - Cambio de velocidad (Ciclo 1-2-3)
4. Triple Clic - Entrar en modo Ludo

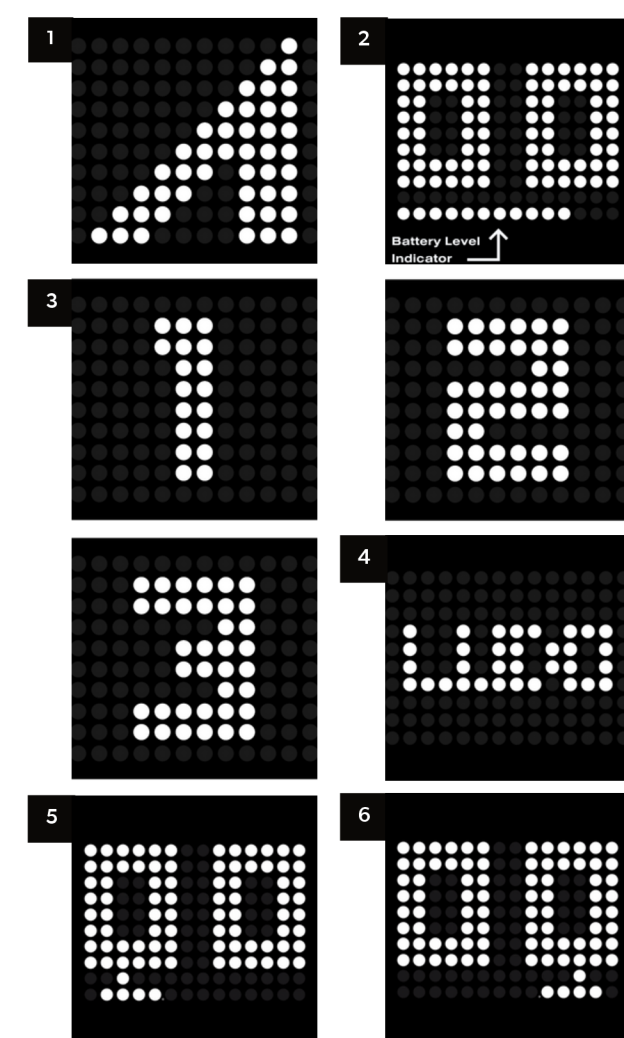
SEÑAL DE GIRO

5. Flecha izquierda, clic corto — Señal de giro izquierda.
6. Flecha derecha, clic corto — Señal de giro derecha.

BOTÓN DE MODO (M)

Un clic — Encendido/apagado de luz delantera
Doble clic — Encendido/Apagado de la luz de la plataforma y de la potencia. (No mostrados en la pantalla)

Mientras maneja su scooter, es posible que perciba ocasionalmente un pitido que le indica que está circulando por encima de la velocidad de la marcha seleccionada. (No se muestra en la pantalla)



CONFIGURACIÓN

Puedes gestionar tus ajustes a través de la App Apollo. Los ajustes que puedes gestionar a través de tu App son:

- Control de Marcha
- Control de las métricas de velocidad (KMH/MPH)
- Control de velocidad máxima
- Control de aceleración y freno regenerativo
- Control ON/Off del modo "cruise"
- Control del tiempo que tarda en encenderse el modo "cruise".
- Control del modo KickStart On/Off

* Las configuraciones que puede controlar a través de la aplicación Apollo pueden cambiar con futuras actualizaciones de la app.

La aplicación Apollo se encuentra disponible para iOS y Android. Para descargarla, visita nuestro sitio web - Apolloscooters.co - o encuétrala en la tienda de aplicaciones como Apollo Scooters.

También la puedes descargar utilizando el siguiente código QR:



Para utilizar la aplicación, siga los pasos indicados en la misma. Las actualizaciones de la aplicación pueden lanzarse en cualquier momento para mejorar la experiencia del usuario. Para cualquier problema relacionado con la aplicación o para obtener la información más reciente relacionada con la aplicación, póngase en contacto con nuestro equipo de asistencia, que le proporcionará la información más reciente.

INFORMACIÓN DE BATERÍA & BATERÍA BAJA

Carga de batería

- Cargue la batería del scooter completamente después de cada uso. Esto prolongará la vida de la batería.
- Al cargar, espere a que la luz del cargador se ponga verde. El proceso de carga se habrá completado y todas las celdas habrán sido equilibradas por el sistema de gestión de la batería.
- Si no lo utiliza regularmente, encienda el scooter al menos una vez al mes para comprobar el nivel de carga. Lo ideal es que el nivel de carga esté entre el 70% y el 90%.

⚠ ADVERTENCIA

Utilice SIEMPRE un cargador diseñado para su modelo de scooter. Si no utiliza un cargador compatible y no carga con el voltaje correcto, puede dañar el scooter y su batería, lo que puede provocar un incendio, una descarga eléctrica, daños materiales, lesiones graves o la muerte.

Almacenamiento

- La temperatura de almacenamiento debe ser entre 10°C-25°C / 50°F-77°F
- Para el almacenamiento a largo plazo (como la temporada de invierno), el nivel ideal de la batería es de aproximadamente el 70% (50 V). Esto se basa en el hecho de que a un nivel de carga del 70%, la energía dentro de las celdas de la batería es la más estable.

AVISO

Cuando sólo quede una barra de batería, es aconsejable dejar de usar el scooter si es posible y recargarlo para prolongar la vida útil de la batería, una descarga profunda disminuirá la vida útil de la batería.

- Referencia del modelo e-scooter: 5272 , A11 Phantom 2.0
- Referencia del modelo de cargador: SPC-290WW-588045
- Referencia del modelo de batería: JT-ESB14-01

El almacenamiento y la carga inadecuados pueden dañar el Scooter

- Espere 30 minutos después de un viaje antes de intentar cargar la batería.
- No deje el scooter en espacios fríos (como garajes sin calefacción o cobertizos al aire libre).
- No deje la batería descargada durante 48 horas o más. Esto puede provocar daños en la batería que no están cubiertos por la garantía.
- No utilice cargadores que no sean vendidos o aprobados por Apollo Scooters.
- Mantenga la batería alejada del calor o del fuego, el no hacerlo puede resultar en una lesión grave o la muerte.
- Si hay algún daño en la batería, el scooter no girará después de la carga o no cargará. NO INTENTE UTILIZAR EL SCOOTER. Póngase en contacto con nosotros inmediatamente.

INSTRUCCIONES DE USO Y ADVERTENCIAS

⚠️ ADVERTENCIA

Los Apollo Scooters están diseñados para ser utilizados y manejados por adultos y no deben ser utilizados por menores de 18 años. Si el usuario tiene alguna discapacidad o impedimento (visual, auditivo, de lenguaje, convulsiones, etc), por favor consulte a su médico antes de utilizar o comprar un scooter eléctrico.

Usted es responsable de llevar a cabo la debida diligencia, entender y seguir todas las leyes, normas y reglamentos, para el funcionamiento seguro y legal de su scooter eléctrico, en los lugares en los que decide operar.

Si no se utilizan correctamente o legalmente, los scooters eléctricos pueden causar lesiones o la muerte. Al comprar un scooter Apollo, usted asume la responsabilidad de su funcionamiento seguro y legal, así como los riesgos por cualquier fallo en el funcionamiento seguro y legal del mismo. Cualquier multa debida a un uso ilegal o no autorizado, incluyendo pero no limitado a cualquier fallo en el uso del equipo de protección, es su responsabilidad. Si tiene alguna pregunta o duda, no dude en ponerse en contacto con nosotros mandando un correo a support@apolloscooters.co

Lea detenidamente todo el manual. Si no está seguro sobre alguna sección, contáctenos directamente o visite nuestro Centro de Servicio y Soporte para encontrar más información. Siempre recomendamos empezar despacio y acostumbrarse al scooter antes de conducir a velocidades más rápidas y para distancias más largas.

- SIEMPRE utilice casco cuando conduzca.
- SIEMPRE inspeccione su scooter antes de circular. No conduzca si observa algún daño en su scooter.
- SIEMPRE asegúrese de que el botón de seguridad del mecanismo de plegado está enganchado en la potencia y que la potencia está completamente asegurada antes de empezar a conducir.
- SIEMPRE mantenga ambas manos en el manillar al conducir.
- SIEMPRE circule con seguridad y a una velocidad adecuada para evitar caídas y colisiones.
- SIEMPRE evite el contacto con las partes móviles del scooter, como el motor y las ruedas.
- NUNCA conduzca bajo la influencia de drogas, alcohol o sustancias que puedan limitar o afectar al juicio, el control o la seguridad del conductor. Debe conducir siempre totalmente consciente y sobrio para garantizar una conducción segura.
- NUNCA exceda la capacidad máxima de peso del scooter.
- NUNCA conduzca por aceras, autopistas o carreteras.
- NUNCA conduzca con más de un conductor o pasajero.
- NUNCA conduzca por escaleras, salte con el scooter o lo haga funcionar a altas velocidades sobre baches por riesgo de pérdida de control.
- NUNCA corra o haga acrobacias con el scooter.

Funcionamiento en condiciones húmedas

⚠️ ADVERTENCIA

En condiciones de lluvia, nieve, hielo u otras condiciones húmedas, las distancias de frenado aumentan y se incrementa el riesgo de pérdida de control. Conducir en estas condiciones, y/o no tener en cuenta el aumento de las distancias de frenado, puede causar la pérdida de control, lesiones graves o la muerte.

Conducir su scooter bajo una fuerte lluvia o en condiciones húmedas puede introducir humedad al scooter, lo que podría dañar la electrónica del scooter.

⚠️ ADVERTENCIA

Peso máximo y mínimo del conductor:
50~150kg

Velocidad máxima: 20 km/h

Deshecho: Manipular de acuerdo con la normativa local.

Equipo de protección

⚠️ ADVERTENCIA

Recomendamos llevar equipo de protección siempre que se utilice el scooter. Además de llevar siempre casco, se recomienda llevar también otros equipos de protección, como rodilleras, coderas y armaduras protectoras, entre otros.

Funcionamiento en bajas temperaturas

⚠️ ADVERTENCIA

El funcionamiento en condiciones frías podría provocar condensación y humedad en el compartimento principal, lo que podría dañar los componentes electrónicos del scooter.

Evitar la exposición al agua y la humedad

AVISO

Debe evitar exponer su scooter al agua y a la humedad. Los scooters Apollo no son impermeables y no están diseñados para una exposición extrema o prolongada al agua o la humedad. Operar su scooter bajo la lluvia, mojado u otras condiciones extremas (hielo, nieve, etc.) puede causar fallos en los componentes o en el rendimiento, además de la pérdida de control, lesiones graves o la muerte. Tenga en cuenta que cualquier daño en el scooter debido a la exposición al agua no está cubierto por la garantía.

MANTENIMIENTO

⚠ ADVERTENCIA

El montaje, mantenimiento o uso incorrecto de su scooter Apollo puede causar fallos en los componentes o en el rendimiento, pérdida de control, lesiones graves o la muerte.

NOTA: Esta sección está disponible en un video tutorial que se puede encontrar en nuestro Centro de Servicio y Soporte.

Comenzar

Recomendamos realizar el mantenimiento de su scooter de acuerdo con la tabla que se encuentra en la p.32 de este manual para asegurarse de que todos los componentes funcionan correctamente. A continuación encontrará los pasos para realizar un mantenimiento básico de su Apollo Phantom 2.0. Sin embargo, si necesita información adicional o ayuda, por favor contacte a nuestro equipo de soporte a través de nuestra Página de Soporte.

Un buen mantenimiento consiste en los siguientes pasos:

- Comprobar la presión de los neumáticos
- Lubricación de rodamientos
- Lubricación de la suspensión
- Ajuste de los frenos
- Apretar los tornillos

Necesitará algunas cosas para hacer esto, todos ellos se pueden comprar en una ferretería local. Si tiene dificultades para localizar estos artículos, póngase en contacto con nuestro equipo de asistencia para obtener ayuda:

- Bomba eléctrica para inflar neumáticos
- Lubricante de base de silicona
- Lubricante de rodamientos
- Loctite azul
- Kit básico de herramientas

Estos son artículos de bajo costo que pueden alargar la vida de su scooter. En otras palabras, son una inversión que vale la pena hacer.

Presión de las llantas

Empecemos comprobando la presión de los neumáticos. La presión ideal para el Apollo Phantom 2.0 es de 50PSI. Es importante mantener los neumáticos a la presión ideal para una mejor experiencia al conducir y para evitar un pinchazo.

Para empezar, coloque su scooter en un banco o silla, asegurándose de que tenga fácil acceso a los neumáticos. Empezar por el neumático delantero: localice la válvula de aire y retire el tapón de seguridad.

Conecte la manguera de aire y pestillo para apretarlo. Encienda la bomba eléctrica para obtener una lectura de la presión actual de los neumáticos.

Si la presión está por debajo de 50PSI, empieza a inflar hasta que el dial marque exactamente 50.

Si la presión es superior a 50PSI, desinfla el neumático presionando hacia abajo el mecanismo de la válvula de aire. Para ello, busque un objeto pequeño, como un bolígrafo o una llave, e introdúzcalo en la válvula de aire. Oirá cómo sale el aire. Hágalo hasta que el neumático se sienta desinflado, luego vuelva a conectar la bomba eléctrica e infle hasta llegar a 50PSI. Cuando el neumático esté correctamente inflado, vuelva a colocar el tapón en la válvula de aire.

Repita el proceso con el neumático trasero.

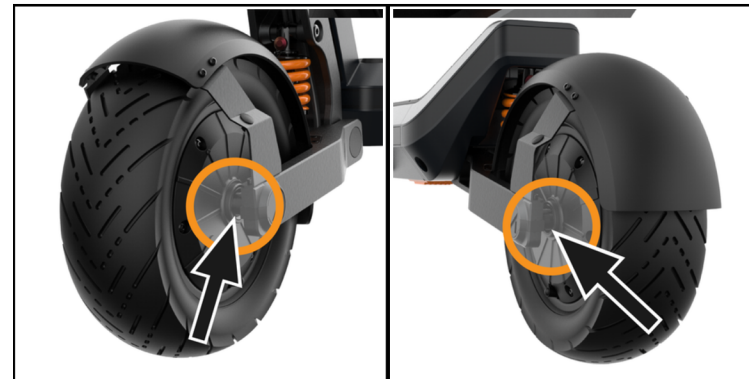
Lubricación de rodamientos

El siguiente paso de mantenimiento es lubricar los rodamientos. Sus rodamientos son la conexión entre las ruedas giratorias de su scooter y el marco no giratorio que las mantiene estables. A medida que utiliza su scooter, la fricción puede causar que el rodamiento se desgaste. Evitamos que esto ocurra lubricándolos regularmente.

Empiece limpiando los rodamientos con una toalla limpia y húmeda, puede hacer girar la rueda

al mismo tiempo, lo que puede facilitar su limpieza. Una vez limpios los cojinetes, es muy importante añadir lubricante, de lo contrario se desgastarán rápidamente.

Rocíe generosamente el lubricante de rodamientos. Rocíe directamente sobre los rodamientos y en la dirección general de los mismos, ya que están sellados para una mejor protección. Haga girar la rueda al mismo tiempo para asegurarse de que el lubricante se dispersa eficazmente.

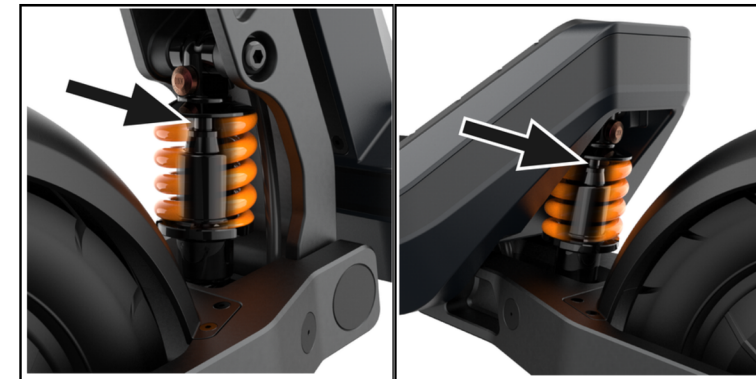


Lubricación de la suspensión

Al igual que los rodamientos, la suspensión también debe lubricarse. El movimiento constante de la suspensión provoca fricción y puede ocasionar ruidos o chirridos.

Asegúrese de que la suspensión está limpia antes de lubricarla. Aplique el lubricante de base de silicona en el interior del muelle y en el eje de recorrido del muelle situado en el interior de la bobina. A continuación, pulverice sobre los puntos de giro superior e inferior de la suspensión.

Una buena forma de distribuir el lubricante en el interior del muelle de suspensión es saltar ligeramente sobre el scooter después de aplicar el lubricante. El movimiento arriba-abajo creará fricción y ayudará a distribuir el lubricante por todo el sistema de suspensión.



Ajuste de frenos de disco

Nota: esta sección describe un ajuste básico de sus frenos. Para obtener un tutorial detallado sobre el ajuste de los frenos, visite el Centro de servicio y asistencia.

Los frenos son un componente importante de su scooter. Si usted siente que sus frenos no están funcionando tan bien como deberían, es posible que deba apretar sus frenos.

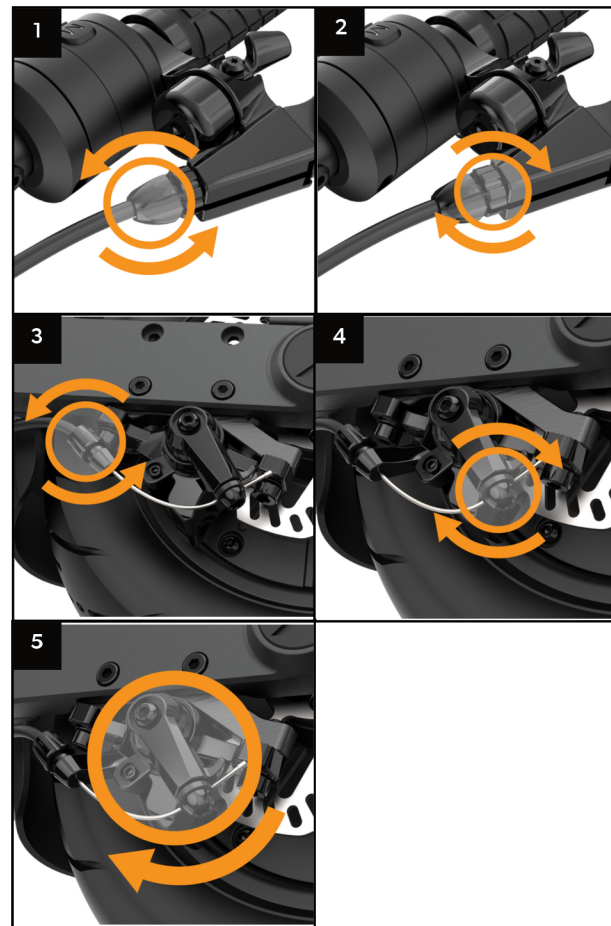
1 El primer punto de control de sus frenos es la maneta de freno. Localice el tornillo de ajuste en la conexión de la línea de freno a la maneta de freno. Gírelo en sentido contrario a las agujas del reloj para apretar el freno y viceversa para aflojarlo.

2 Una vez apretados los frenos, asegure el anillo de retención para asegurarlos. Si ha llegado a la posición máxima del tornillo de ajuste y los frenos no están suficientemente apretados, continúe con el siguiente paso.

3 Localice la pinza de freno situada del lado derecho de la rueda y, a continuación, identifique el tornillo de ajuste en la conexión del latiguillo de freno con la pinza. Si gira el tornillo de ajuste en sentido contrario a las agujas del reloj, apretará el freno y viceversa para aflojarlo. Haga una pausa después de cada giro para girar la rueda y accionar el freno, probando la tensión del freno. Cuando el freno se sienta suficientemente apretado, pase a la otra maneta/freno.

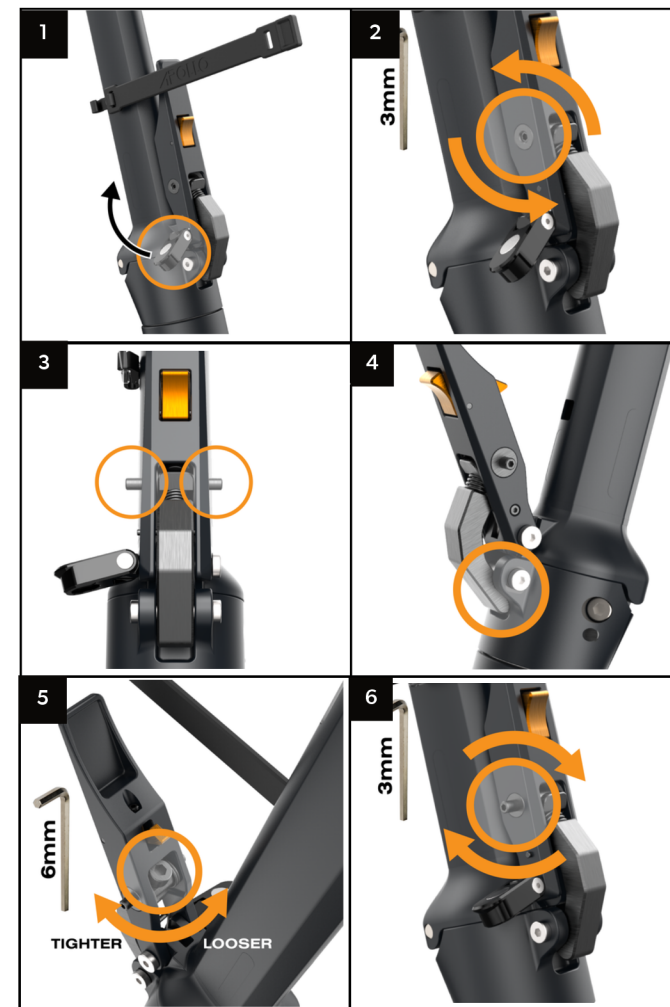
4 Si el freno sigue sin estar tenso después del paso anterior, localice el tornillo que sujeta el latiguillo de freno a la palanca de la pinza y aflójelo.

5 Empuje suavemente la palanca hacia el interior de la pinza y, a continuación, tire del latiguillo de freno mientras mantiene la palanca en esa posición. Después, apriete el tornillo. Si los frenos están demasiado apretados, puedes invertir el proceso y aflojarlos ligeramente.



Ajuste del mecanismo de plegado

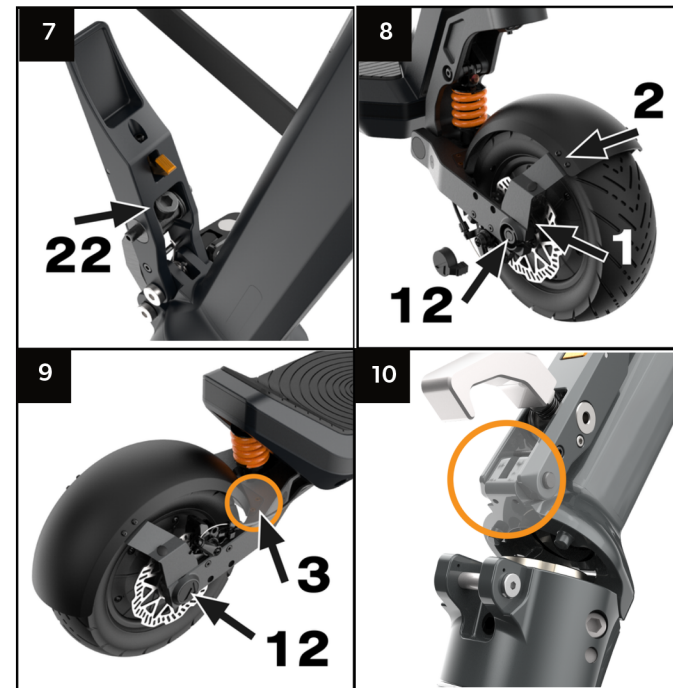
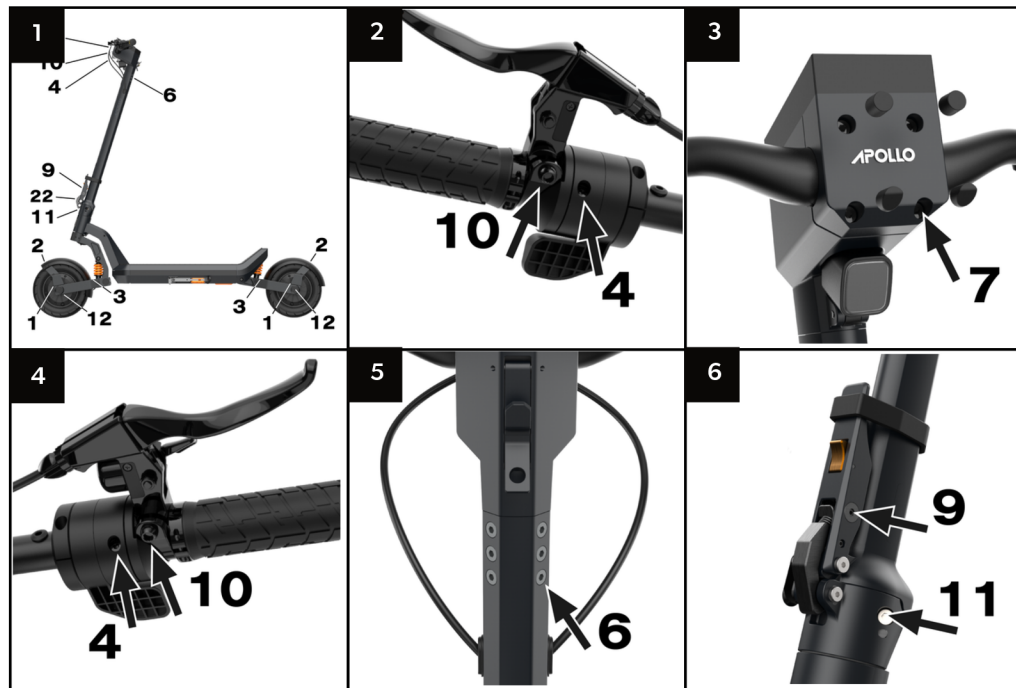
- 1** Desbloquee el gancho de seguridad girándolo hacia fuera. Esto permitirá un ajuste preciso del mecanismo.
- 2** Afloje los dos tornillos de cabeza hueca con una llave Allen de 3 mm hasta que sobresalgan de cada lado del mecanismo de plegado.
- 3**
- 4** Tire del pestillo de plegado hacia abajo hasta que pueda ver el tornillo de ajuste.
- 5** Con una llave Allen de 6 mm, apriete o afloje el tornillo hasta el ajuste adecuado.
- 6** Con una llave Allen de 3 mm, apriete los dos tornillos de cabeza hueca



Ajuste de tornillos

Utilice la llave Allen incluida para apretar los tornillos resaltados en los siguientes gráficos. Puede consultar la lista de tornillos en la página siguiente para obtener información adicional.

El motor de su scooter crea vibraciones cuando usted monta en él, lo que puede hacer que los tornillos de su scooter se aflojen con el tiempo. Le recomendamos que compruebe sus tornillos cada pocos meses para asegurarse de que permanecen apretados. Puede utilizar un adhesivo de cabeza de fuerza media para mejorar aún más su estabilidad.



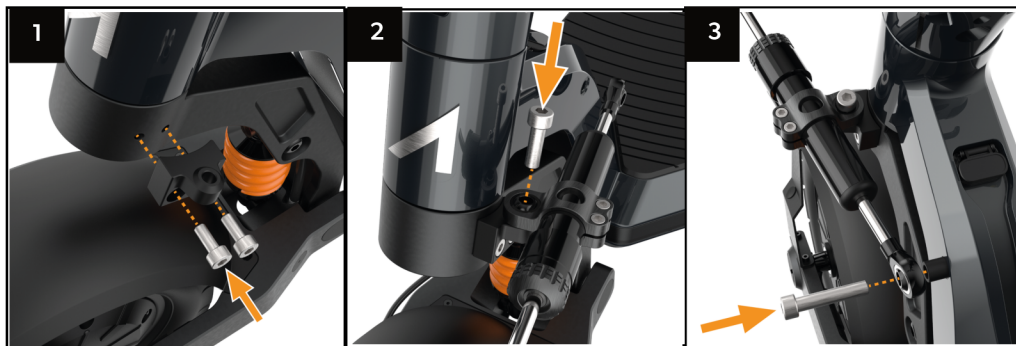
Para garantizar la longevidad de su mecanismo de cierre, es fundamental comprobar periódicamente el desgaste que pueda estar sufriendo.

- Asegúrese de que todos los tornillos y tornillos prisioneros se encuentren apretados y correctamente ajustados.
- Asegúrese de que no haya desgaste observable en el lugar que se muestra en las imágenes 1 a 10 de esta sección "ajuste de tornillos".

Instalación y ajuste del amortiguador de dirección

Instalación

- 1 Monte el soporte en L del lado izquierdo del basculante con dos tornillos del nº 14.
- 2 Coloque el amortiguador con el rode apuntando hacia la parte delantera del scooter y móntelo en el soporte en L con el tornillo #15.
- 3 Monte el otro extremo del amortiguador en el lado del cuello usando el tornillo #13 y el espaciador. Por último asegúrese de que todos los tornillos estén apretados.



Ajuste

Puede ajustar la resistencia de la dirección girando el mando: en el sentido de las agujas del reloj para una mayor rigidez y en sentido contrario para un ajuste más suave. El ajuste final del amortiguador depende de las condiciones de la carretera o la pista y de tus preferencias de conducción.

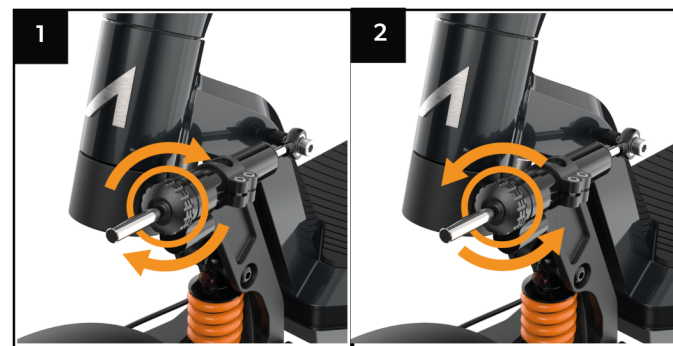


Tabla de mantenimiento

Periodicidad de mantenimiento	5km	50 km	100km	300km	500km	1000km
Llantas	Revisa la presión de la llanta	X	X	X	X	X
Frenos	Asegúrese que los frenos funcionan	X	Asegúrese que los frenos están ajustados	Cambie las pastillas de freno	X	X
Luces	Asegúrese que las luces funcionan	X	X	X	X	X
Suspensión	X	Asegúrese que la suspensión trasera y delantera están ajustadas	X	X	Engrase el pin de suspensión	Realice una inspección completa de la suspensión. Cambie si hay señales de desgaste.
Mecanismo de bloqueo	Asegúrese que el mecanismo de bloqueo está ajustado. Revise por señales de desgaste.	Re-tension the locking mechanism	X	X	X	X
Batería	X	X	X	X	Revisa la salud de la batería en la aplicación	X
Componentes del manillar	Asegúrese que los componentes del manillar están ajustados	X	X	X	X	X
Dirección/ cojinetes	Asegúrese que no haya holgura en el sistema de dirección	Asegúrese que la tuerca de dirección principal y la tuerca superior no se aflojen	X	X	Asegúrese que la tuerca de dirección principal y la tuerca superior no se aflojen	X
Tuercas de la rueda	X	Asegúrese de que las tuercas están apretadas	X	X	X	X
Tornillos del manillar	X	Asegúrese del manillares están bien sujetos	X	X	X	X
Tornillo de bloqueo del husillo inferior	X	X	X	X	Asegúrese de que los tornillos de bloqueo de la potencia estén apretados.	X
Tornillos del guardabarros	X	X	X	X	Asegúrese que los tornillos del guardabarros no se aflojan	X

ADVERTENCIA

El incumplimiento de la tabla de mantenimiento puede provocar lesiones graves o la muerte.

NOTA:

Para obtener información detallada sobre las tareas de mantenimiento y guías paso a paso, visite nuestra guía de mantenimiento del Apollo Phantom 2.0 en el Centro de servicio y asistencia:



Lista de herramientas y tornillos



LISTA DE HERRAMIENTAS

Llaves Allen	1x
Manual	1x
Extensor de válvula	1x
Bomba de aire	1x
Llave de tubo en L	1x
Alineador de discos	1x



COMPONENTES	Dimensiones	Torque	
Tornillos soporte guardabarros/tornillos tapa acelerador	M4 x 8 x 0.7	2 NM	
Torn. guardabarros/soporte cable motor delantero	M4 x 10 x 0.7	1 NM	
Torn. base guardabarros/torn. tapa cuello de dirección	M4 x 10 x 0.7	1 NM	
Tornillos de fijación del acelerador al manillar	M4 x 16	2 NM	
Tornillos de fijación de los puños de agarre	M4 x 10 x 0.7	2 NM	
Tornillos de fijación de la potencia a la columna de dirección	M5 x 16 x 0.8	5 NM	
Tornillos de fijación del manillar a la potencia	M6 x 25 x 1	5 NM	
Tornillo del módulo Quad Lock	M5 x 25 x 0.8	1 NM	
Tornillo prisionero del mecanismo de bloqueo	M6 x 10 x 1	3 NM	
Tornillos de la maneta de freno	M6 x 18 x 1	2 NM	
Torn. de fijación de columna de dirección a rueda delantera	M8 x 30 x 1.25	10 NM	
Tuerca principal de las ruedas	M14 x 1.5	25 NM	
Tornillo frontal del estabilizador de la dirección	M8 x 25 x 1.25	5 NM	
Tornillos de fijación del estabilizador al brazo basculante	M6 x 15 x 1	5 NM	
Tornillos de fijación del estabilizador al cuello de dirección	M8 x 40 x 1.25	5 NM	
Torn. de fijación del soporte del freno a las horquillas	M6 x 20 x 1	8 NM	
Torn. de fijación de la pinza de freno al soporte	M6 x 12 x 1	10 NM	
Tornillo del soporte del cable de freno	M4 x 8 x 0.7	6 NM	
Tornillos de la tapa de la plataforma	M4 x 8 x 0.7	6 NM	
Tornillo de la luz delantera	M5 x 14 x 0.8	Hand	
Contratuercas para el tornillo frontal del estabilizador	M5 x 14 x 0.8	Hand	

Lista de tornillos y ubicación

Núm. tornillo	Uso del tornillo/situación	Dimensiones	Cant.
1	Tornillos soporte guardabarros/tornillos tapa acelerador	M4 x 8 x 0.7	1
2	Torn. guardabarros/soporte cable motor delantero	M4 x 10 x 0.7	1
3	Torn. base guardabarros/torn. tapa cuello de dirección	M4 x 10 x 0.7	1
4	Tornillos de fijación del acelerador al manillar	M4 x 16	1
5	Tornillos de fijación de los puños de agarre	M4 x 10 x 0.7	1
6	Tornillos de fijación de potencia a columna de dirección	M5 x 16 x 0.8	6
7	Tornillos de fijación del manillar a la potencia	M6 x 25 x 1	1
8	Tornillo del módulo Quad Lock	M5 x 25 x 0.8	1
9	Tornillo prisionero del mecanismo de bloqueo	M6 x 10 x 1	1
10	Tornillos de la maneta de freno	M6 x 18 x 1	1
11	Torn. de fijación columna de dirección a rueda delantera	M8 x 30 x 1.25	1
12	Tuerca principal de las ruedas	M14 x 1.5	1
13	Tornillo frontal del estabilizador de la dirección	M8 x 25 x 1.25	1
14	Tornillos de fijación del estabilizador al brazo basculante	M6 x 15 x 1	1
15	Tornillos de fijación de estabilizador a cuello de dirección	M8 x 40 x 1.25	1
16	Torn. de fijación del soporte del freno a las horquillas	M6 x 20 x 1	1
17	Torn. de fijación de la pinza de freno al soporte	M6 x 12 x 1	1
18	Tornillo del soporte del cable de freno	M4 x 8 x 0.7	1
19	Tornillos de la tapa de la plataforma	M4 x 8 x 0.7	2
20	Tornillo de la luz delantera	M5 x 14 x 0.8	1
21	Contratuercas para el tornillo frontal del estabilizador	M8 x 6 x 1.25	1



Lista de tornillos y ubicación

Núm. tornillo	Uso del tornillo/situación	Dimensiones	Cant.
1	Tornillos soporte guardabarros/tornillos tapa acelerador	M4 x 8 x 0.7	1
2	Torn. guardabarros/soporte cable motor delantero	M4 x 10 x 0.7	1
3	Torn. base guardabarros/torn. tapa cuello de dirección	M4 x 10 x 0.7	1
4	Tornillos de fijación del acelerador al manillar	M4 x 16	1
5	Tornillos de fijación de los puños de agarre	M4 x 10 x 0.7	1
6	Tornillos de fijación de potencia a columna de dirección	M5 x 16 x 0.8	6
7	Tornillos de fijación del manillar a la potencia	M6 x 25 x 1	1
8	Tornillo del módulo Quad Lock	M5 x 25 x 0.8	1
9	Tornillo prisionero del mecanismo de bloqueo	M6 x 10 x 1	1
10	Tornillos de la maneta de freno	M6 x 18 x 1	1
11	Torn. de fijación columna de dirección a rueda delantera	M8 x 30 x 1.25	1
12	Tuerca principal de las ruedas	M14 x 1.5	1
13	Tornillo frontal del estabilizador de la dirección	M8 x 25 x 1.25	1
14	Tornillos de fijación del estabilizador al brazo basculante	M6 x 15 x 1	1
15	Tornillos de fijación de estabilizador a cuello de dirección	M8 x 40 x 1.25	1
16	Torn. de fijación del soporte del freno a las horquillas	M6 x 20 x 1	1
17	Torn. de fijación de la pinza de freno al soporte	M6 x 12 x 1	1
18	Tornillo del soporte del cable de freno	M4 x 8 x 0.7	1
19	Tornillos de la tapa de la plataforma	M4 x 8 x 0.7	2
20	Tornillo de la luz delantera	M5 x 14 x 0.8	1
21	Contratuercas para el tornillo frontal del estabilizador	M8 x 6 x 1.25	1



Lista de tornillos y ubicación

Núm. tornillo	Uso del tornillo/situación	Dimensiones	Cant.
1	Tornillos soporte guardabarros/tornillos tapa acelerador	M4 x 8 x 0.7	1
2	Torn. guardabarros/soporte cable motor delantero	M4 x 10 x 0.7	1
3	Torn. base guardabarros/torn. tapa cuello de dirección	M4 x 10 x 0.7	1
4	Tornillos de fijación del acelerador al manillar	M4 x 16	1
5	Tornillos de fijación de los puños de agarre	M4 x 10 x 0.7	1
6	Tornillos de fijación de potencia a columna de dirección	M5 x 16 x 0.8	6
7	Tornillos de fijación del manillar a la potencia	M6 x 25 x 1	1
8	Tornillo del módulo Quad Lock	M5 x 25 x 0.8	1
9	Tornillo prisionero del mecanismo de bloqueo	M6 x 10 x 1	1
10	Tornillos de la maneta de freno	M6 x 18 x 1	1
11	Torn. de fijación columna de dirección a rueda delantera	M8 x 30 x 1.25	1
12	Tuerca principal de las ruedas	M14 x 1.5	1
13	Tornillo frontal del estabilizador de la dirección	M8 x 25 x 1.25	1
14	Tornillos de fijación del estabilizador al brazo basculante	M6 x 15 x 1	1
15	Tornillos de fijación de estabilizador a cuello de dirección	M8 x 40 x 1.25	1
16	Torn. de fijación del soporte del freno a las horquillas	M6 x 20 x 1	1
17	Torn. de fijación de la pinza de freno al soporte	M6 x 12 x 1	1
18	Tornillo del soporte del cable de freno	M4 x 8 x 0.7	1
19	Tornillos de la tapa de la plataforma	M4 x 8 x 0.7	2
20	Tornillo de la luz delantera	M5 x 14 x 0.8	1
21	Contratuercas para el tornillo frontal del estabilizador	M8 x 6 x 1.25	1



RESOLUCIÓN DE PROBLEMAS

Indicaciones de fallo / Códigos de error

Si se produce un fallo de funcionamiento durante el uso de su Apollo Phantom 2.0, aparecerá en la pantalla uno de los siguientes códigos:

ATENCIÓN

Para ver la biblioteca completa de vídeos de solución de problemas, visite nuestro Centro de Servicio y Soporte



E1 F1

ERROR DE FRENO

F1 aparece cuando falla el autotest de encendido. E1 se notifica cuando el error se produce durante el funcionamiento.

Código de error:

Si se indica E1/F1, es posible que la maneta de freno o su conexión estén defectuosas.

Solución

Compruebe si el cable de la maneta de freno está conectado correctamente.

Solución 2:

Sustituya la maneta de freno para comprobar si el código de error desaparece.

Solución 3:

Sustituya el conjunto del manillar para comprobarlo; si el código de error desaparece, el problema era la pantalla.

E2 F2

ERROR DE MANERAL

F2 aparece cuando falla el autotest de encendido. Se notifica E2 cuando el error se produce durante el funcionamiento.

Código de error:

Si se informa E2/F2, el acelerador o su conexión podrían estar defectuosos.

Solución

Compruebe si el cable del acelerador está conectado correctamente y si el acelerador no está fuera de posición.

Solución 2:

Reemplace el acelerador para probar, si el código de error desaparece el acelerador era el problema.

Solución 3:

Sustituya el conjunto del manillar para probarlo, si el código de error desaparece, el problema era la pantalla.

E3

ERROR DE COMUNICACIÓN

E3 mostrará el error en el sistema de alimentación en marcha.

Solución 1:

Compruebe si la conexión entre el conjunto del manillar y el cable de comunicación de la potencia es buena.

Solución 2:

Si el código de error desaparece, el problema estaba en el manillar.

Solución 3:

Sustituya el controlador para probarlo. Si el código de error desaparece, el problema era el controlador.

E4

PROTECCIÓN CONTRA SOBRECORRIENTE

Si el error E4 se notifica continuamente, se considera un fallo de hardware del controlador.

Solución:

Compruebe si el cable de la maneta de freno está bien conectado.

Solución 2:

Sustituya la maneta de freno para comprobar si el código de error desaparece.

Solución 3:

Sustituya el conjunto del manillar para comprobarlo; si el código de error desaparece, el problema era la pantalla.

E7

MOTOR SENSOR ERROR

Si se indica E7, significa que hay un sensor de motor defectuoso.

Solución:

Reemplace el motor para probar, si el error desaparece el motor era el problema.

E5

UNDER VOLTAGE PROTECTION

Si E5 es reportado continuamente, verifique si el voltaje de la batería es demasiado bajo (Por debajo de 30 Voltios).

Solución:

Reemplace con una batería nueva para probar, si el error desaparece la batería era el problema.

E8

MOTOR PHASE LOSS

E8 significa que uno o más conectores de fase no están bien conectados o no funcionan correctamente.

Solución:

Compruebe si los cables de fase están bien conectados.

Solución 2:

Reemplace el controlador, si el error desaparece, el problema era el controlador.

Solución 3:

Sustituya el motor para comprobarlo; si el error desaparece, el problema era el motor.

E6

OVER VOLTAGE PROTECTION

E6 indica que el voltaje de la batería es demasiado alto.

Solución:

El voltaje de la batería es demasiado alto, evite frenazos bruscos, acciones precipitadas y volverá a la normalidad cuando se haya consumido parte de la energía.

E9

CONTROLLER ERROR

Si se notifica E9 continuamente, significa que el controlador está defectuoso.

Solución:

Reemplace el controlador para probar, si el error desaparece el controlador era el problema.

GARANTÍA Y SERVICIOS

Estructura de la garantía

Todos los scooters Apollo están cubiertos por una garantía limitada de 12 meses. Para obtener más información sobre la garantía (también disponible en otros idiomas), escanea el código QR que aparece a continuación.



Apollo Plus

Apollo Plus es un conjunto de servicios que ayudan a nuestros clientes durante toda la vida de su scooter. Apollo Plus ofrece tranquilidad a través de sus servicios que protegen tu scooter durante el envío, garantiza buen funcionamiento, y asegura que puedas volver a conducir tu scooter lo antes posible en caso de fallas.

DECLARACIÓN DE CUMPLIMIENTO UL

Temperatura de funcionamiento: -10°C ~ 40°C

Rango de temperatura de carga: 0°C ~ 25°C

Peso mínimo y máximo del piloto: 50~150 kg

Velocidad máxima: 20 km/h

Esperamos que disfrutes de tu Scooter Apollo Phantom 2.0 tanto como nosotros hemos disfrutado desarrollándolo.

Si quiere seguir en contacto con nosotros y enterarse de nuestras futuras innovaciones, puede seguirnos en:



@APOLLO SCOOTERS



@RIDEAPOLLO



APOLLO SCOOTERS



@RIDEAPOLLO

DECLARACIÓN DE CUMPLIMIENTO DE LA FCC

FCC COMPLIANCE STATEMENT

Este dispositivo cumple la parte 15 de las normas de la FCC. Su funcionamiento está sujeto a las dos condiciones siguientes:

- (1) Este dispositivo no puede causar interferencias perjudiciales, y
- (2) este dispositivo debe aceptar cualquier interferencia recibida, incluidas las interferencias que puedan causar un funcionamiento no deseado.

Nota:

Este equipo ha sido probado y cumple con los límites establecidos para los dispositivos digitales de Clase B, de conformidad con la Parte 15 de las normas de la FCC. Estos límites están diseñados para proporcionar una protección razonable contra interferencias perjudiciales en una instalación residencial. Este equipo genera, utiliza y puede irradiar energía de radiofrecuencia, si no se instala y utiliza de acuerdo con las instrucciones puede causar interferencias perjudiciales en las comunicaciones por radio.

No obstante, no se garantiza que no se produzcan interferencias en una instalación cualquiera. Si este equipo causa interferencias perjudiciales en la recepción de radio o televisión, puede determinarse apagando y encendiendo el equipo. Se recomienda al usuario que intente corregir la interferencia mediante una o más de las siguientes medidas:

- Cambie la orientación o la ubicación de la antena receptora.
- Aumente la separación entre el equipo y el receptor.
- Conecte el equipo a una toma de corriente de un circuito distinto al que está conectado el receptor.
- Consulte al distribuidor o a un técnico de radio/TV experimentado para obtener ayuda.

Advertencia: Los cambios o modificaciones a esta unidad no aprobados expresamente por la parte responsable del cumplimiento podrían anular la autoridad del usuario para operar el equipo.

DECLARACIÓN DE EXPOSICIÓN A LA RADIACIÓN DE LA FCC

El dispositivo ha sido evaluado para cumplir los requisitos generales de exposición a RF. El dispositivo puede utilizarse en condiciones de exposición móvil (min20cm).

DECLARACIÓN

Este dispositivo cumple las normas RSS exentas de licencia de la industria canadiense. Su funcionamiento está sujeto a las dos condiciones siguientes:

- (1) este dispositivo no puede causar interferencias; y
- (2) este dispositivo debe aceptar cualquier interferencia. Incluidas las interferencias que puedan causar un funcionamiento no deseado del dispositivo.

Avis d'Industrie Canada

Le présent appareil est conforme aux CNR d'industrie Canada applicables aux appareils radio exempts de licence L'exploitation est autorisée aux deux conditions suivantes:

- 1) l'appareil ne doit pas produire de brouillage; et
 - 2) l'utilisateur de l'appareil doit accepter brouillage radioélectrique subi même si le brouillage est susceptible d'en compromettre le fonctionnement. mauvais fonctionnement de l'appareil.
- CAN ICES-3 (B)/ CAN NMB-3 (B)

DECLARACIÓN DE EXPOSICIÓN A LA RADIACIÓN

Este equipo cumple con los límites de exposición a la radiación IC establecidos para un entorno no controlado. Este equipo debe instalarse y utilizarse con una distancia mínima de 20 cm entre el radiador y su cuerpo.

Déclaration d'exposition aux radiations:

Cet équipement est conforme aux limites d'exposition aux rayonnements IC établies pour un environnement non contrôlé. Cet équipement doit être installé et utilisé avec un minimum de 20 cm de distance entre la source de rayonnement et votre corps.

APOLLO

USA

apolloscooters.co

CANADA

apolloscooters.ca